

ACBMV B. CASADIO VIBRATION
 Z.I. Mi-Plaine
 51 Rue Ampère
 B.P. 31
 69682 CHASSIEU CEDEX (FRANCE)
 Tel.: 04 78 90 87 87 / Fax.: 04 78 90 87 88
 Email: vibrateur@orange.fr
 Internet: acbmv.com

4500-6000 RPM
 REF.: 600208A
 SIZE: AF68

Certifications:



MECHANICAL AND ELECTRICAL SPECIFICATIONS

Eccentric weight setup (%)	Centrifugal force (kg)	Centrifugal force (kN)	Estimated bearings life time (hours)
100	3300	32,3	3300
90	2970	29,07	4689
80	2640	25,84	6943
70	2310	22,61	10836
60	1980	19,38	18114
50	1650	16,15	33262
40	1320	12,92	69981
30	990	9,69	>100000
20	660	6,46	>100000
10	330	3,23	>100000

Power supply (volts)	400
Phases:	three phases
Frequency (Hz)	100 Hz
Rotation speed (RPM)	6000
Max input power (watt)	4000
Max current (amp)	7,2
IS/IR	5,1

DIMENSIONAL SPECIFICATIONS (mm)

Vibrator weight: 74 kg

Continual service ambient temperature: -20°C à +40°C - Tropicalization anti-mold - Mechanical protection: IP66 IK08 according to IEC

Bearing type: ROLLER

Lubrication LONG-LIFE with KLUEBER ISOFLEX NBU 15.

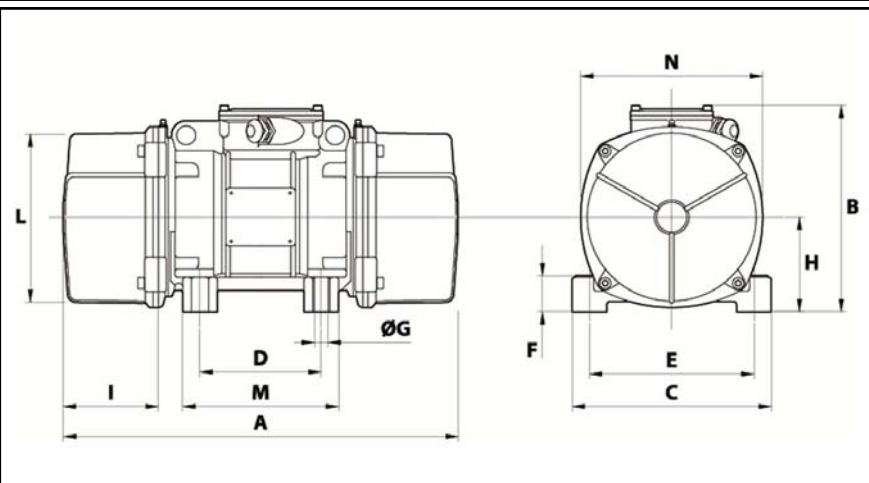
Re lubrication quantity after 1000 hours of using: 9g

Max quantity by replaced bearing: 16g

Fixing with 4 screws M22 - 7/8" quality 8.8 with tightening torque (kgm - ft/lb): 56 - 411

Power supply cable size: 9 à 16 mm - Cable entry thread: M25x1.5

Maintenance space: 147 mm



A	528
B	267
C	310
D	155
E	255
F	122
G	23,5
N° HOLES	4
H	115
I	147
L	265
M	215
N	275
