

ACBMV B. CASADIO VIBRATION
 Z.I. Mi-Plaine
 51 Rue Ampère
 B.P. 31
 69682 CHASSIEU CEDEX (FRANCE)
 Tel.: 04 78 90 87 87 / Fax.: 04 78 90 87 88
 Email: vibrateur@orange.fr
 Internet: acbmv.com

0-6000 RPM
 REF.: 600248A
 SIZE: AF50

Certifications:



MECHANICAL AND ELECTRICAL SPECIFICATIONS

Eccentric weight setup (%)	Centrifugal force (kg)	Centrifugal force (kN)	Estimated bearings life time (hours)
100	2500	24,5	2500
90	2250	22,05	3552
80	2000	19,60	5260
70	1750	17,15	8209
60	1500	14,70	13723
50	1250	12,25	25198
40	1000	9,80	53016
30	750	7,35	>100000
20	500	4,90	>100000
10	250	2,45	>100000

Power supply (volts)	400
Phases:	three phases
Frequency (Hz)	100 Hz
Rotation speed (RPM)	6000
Max input power (watt)	2200
Max current (amp)	3,9
IS/IR	6,15

DIMENSIONAL SPECIFICATIONS (mm)

Vibrator weight: 41 kg

Continual service ambient temperature: -20°C à +40°C - Tropicalization anti-mold - Mechanical protection: IP66 IK08 according to IEC

Bearing type: ROLLER

Lubrication LONG-LIFE with KLUEBER ISOFLEX NBU 15.

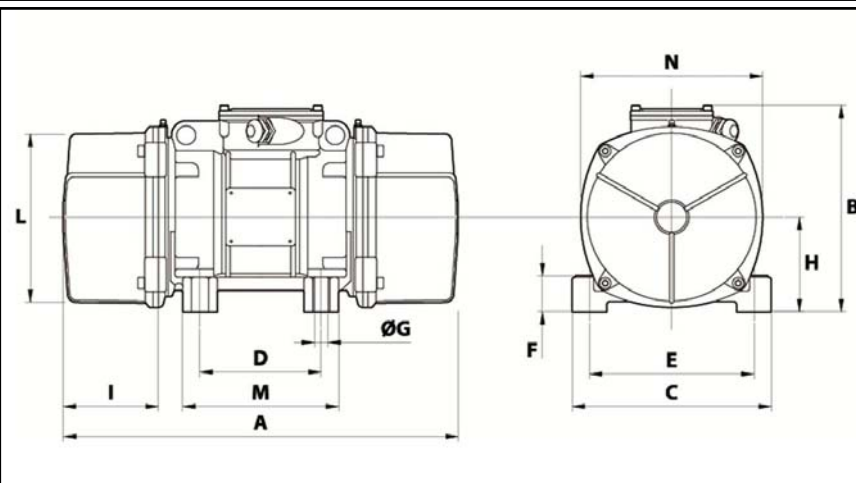
Re lubrication quantity after 1000 hours of using: 9g

Max quantity by replaced bearing: 16g

Fixing with 4 screws M16 - 5/8" quality 8.8 with tightening torque (kgm - ft/lb): 19 - 137

Power supply cable size: 9 à 16 mm - Cable entry thread: M25x1.5

Maintenance space: 87,5 mm



A	430
B	230
C	230
D	140
E	190
F	49
G	17
N° HOLES	4
H	104
I	87,5
L	186
M	180
N	200