

## VIBRATOR TYPE: MVCC 3/100-MF 24 VOLTS DIRECT CURRENT

ACBMV B. CASADIO VIBRATION  
 Z.I. Mi-Plaine  
 51 Rue Ampère  
 B.P. 31  
 69682 CHASSIEU CEDEX (FRANCE)  
 Tel.: 04 78 90 87 87 / Fax.: 04 78 90 87 88  
 Email: [vibrateur@orange.fr](mailto:vibrateur@orange.fr)  
 Internet: [acbmv.com](http://acbmv.com)

3000 RPM  
 REF.: 600411K

Certifications:



### MECHANICAL AND ELECTRICAL SPECIFICATIONS

Eccentric weight setup (%)	Static moment (kgmm)	Working moment (kgcm)	Centrifugal force (kg)	Centrifugal force (kN)	Estimated bearings life time (hours)
100	12	2,40	120	11,9	31800
90	10,80	2,16	108	10,71	43621
80	9,60	1,92	96	9,52	62109
70	8,40	1,68	84	8,33	92711
60	7,20	1,44	72	7,14	>100000
50	6,00	1,20	60	5,95	>100000
40	4,80	0,96	48	4,76	>100000
30	3,60	0,72	36	3,57	>100000
20	2,40	0,48	24	2,38	>100000
10	1,20	0,24	12	1,19	>100000

Power supply (volts)	24
Phases:	DIRECT CURRENT
Rotation speed (RPM)	3000
Max input power (watt)	100
Max current (amp)	4

### DIMENSIONAL SPECIFICATIONS (mm)

**Vibrator weight: 5 kg**

Continual service ambient temperature: -20°C à +40°C - Tropicalization anti-mold - Mechanical protection: IP66 IK08 according to IEC

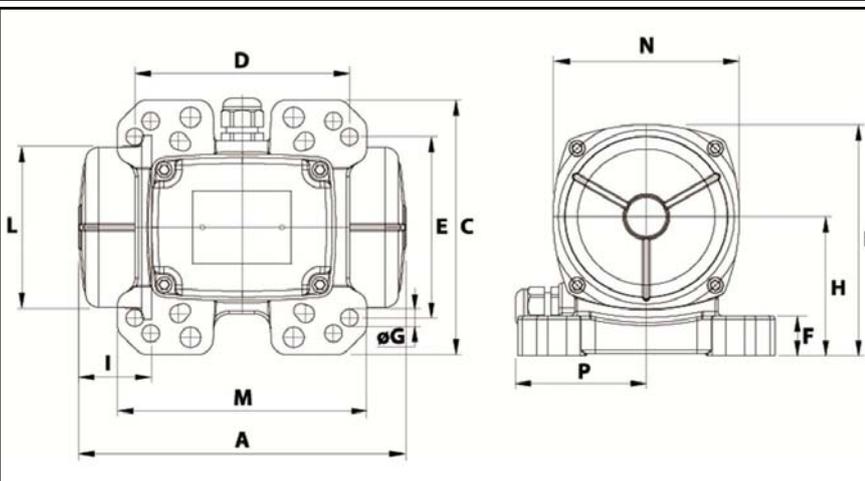
Bearing type: BALL

Lubrication "FOR LIFE" with double protection screen

Fixing with 4 screws M8 - 5/16" quality 8.8 with tightening torque (kgm - ft/lb): 2.30 - 16.50

Power supply cable size: 12 mm - Cable entry thread: M20x1,5

Maintenance space: 46 mm



A	206
B	146,5
C	162
D	65-74**-80-115-135
E	140-106**-110-135-115
F	25
G	13-9-11-11-11
N° HOLES	4
H	88
I	46
L	103
M	157
N	117
P	82

**				
Fente				