

ACBMV B. CASADIO VIBRATION  
 Z.I. Mi-Plaine  
 51 Rue Ampère  
 B.P. 31  
 69682 CHASSIEU CEDEX (FRANCE)  
 Tel.: 04 78 90 87 87 / Fax.: 04 78 90 87 88  
 Email: [vibrateur@orange.fr](mailto:vibrateur@orange.fr)  
 Internet: [acbm.com](http://acbm.com)

0-4300 RPM  
 REF.: 600514A  
 SIZE: AF70

Certifications:



### MECHANICAL AND ELECTRICAL SPECIFICATIONS

Eccentric weight setup (%)	Centrifugal force (kg)	Centrifugal force (kN)	Estimated bearings life time (hours)
100	5300	52	5300
90	4770	46,80	7530
80	4240	41,60	11151
70	3710	36,40	17403
60	3180	31,20	29092
50	2650	26,00	53421
40	2120	20,80	>100000
30	1590	15,60	>100000
20	1060	10,40	>100000
10	530	5,20	>100000

Power supply (volts)	400
Phases:	three phases
Frequency (Hz)	100 Hz
Rotation speed (RPM)	4300
Max input power (watt)	5000
Max current (amp)	8
IS/IR	5,3

### DIMENSIONAL SPECIFICATIONS (mm)

**Vibrator weight: 105 kg**

Continual service ambient temperature: -20°C à +40°C - Tropicalization anti-mold - Mechanical protection: IP66 IK08 according to IEC

Bearing type: ROLLER

Lubrication LONG-LIFE with KLUEBER ISOFLEX NBU 15.

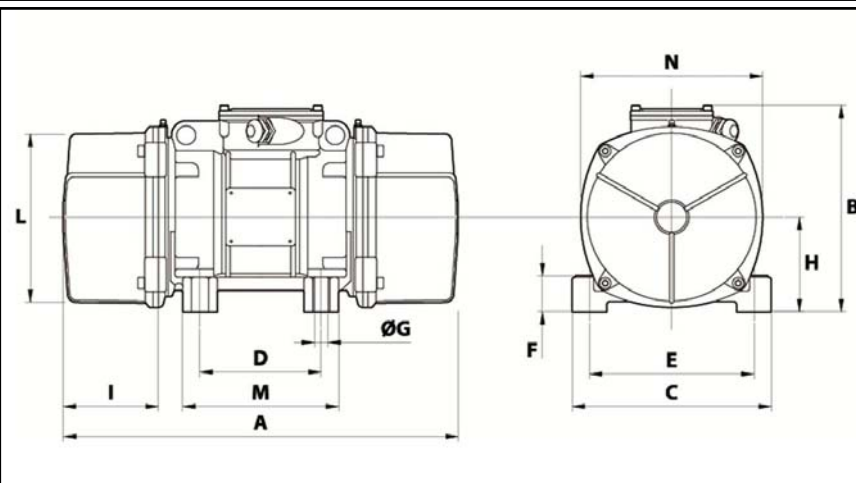
Re lubrication quantity after 1000 hours of using: 30g

Max quantity by replaced bearing: 60g

Fixing with 4 screws M24 - 15/16" quality 8.8 with tightening torque (kgm - ft/lb): 714 - 513

Power supply cable size: 9 à 16 mm - Cable entry thread: M25x1.5

Maintenance space: 137 mm



A	560
B	290
C	310
D	155
E	255
F	90
G	25
N° HOLES	4
H	130
I	137
L	238
M	210
N	250
