

ACBMV B. CASADIO VIBRATION  
 Z.I. Mi-Plaine  
 51 Rue Ampère  
 B.P. 31  
 69682 CHASSIEU CEDEX (FRANCE)  
 Tel.: 04 78 90 87 87 / Fax.: 04 78 90 87 88  
 Email: [vibrateur@orange.fr](mailto:vibrateur@orange.fr)  
 Internet: [acbm.com](http://acbm.com)

4 POLES - 1800 RPM      ATEX II 2D tD A21 IP 66 ZONE 21-22  
 REF.: 601225C              Dust T°=150°C  
 SIZE: 50

Certifications:



### MECHANICAL AND ELECTRICAL SPECIFICATIONS

Eccentric weight setup (%)	Centrifugal force (kg)	Centrifugal force (kN)	Estimated bearings life time (hours)
100	1500	14,7	33552
90	1350	13,23	47670
80	1200	11,76	70591
70	1050	10,29	>100000
60	900	8,82	>100000
50	750	7,35	>100000
40	600	5,88	>100000
30	450	4,41	>100000
20	300	2,94	>100000
10	150	1,47	>100000

Power supply (volts)	460
Phases:	three phases
Frequency (Hz)	60 Hz
Rotation speed (RPM)	1800
Max input power (watt)	1200
Max current (amp)	2
IS/IR	4,5

### DIMENSIONAL SPECIFICATIONS (mm)

**Vibrator weight: 54,5 kg**

Continual service ambient temperature: -20°C à +40°C - Tropicalization anti-mold - Mechanical protection: IP66 IK08 according to IEC

Bearing type: ROLLER

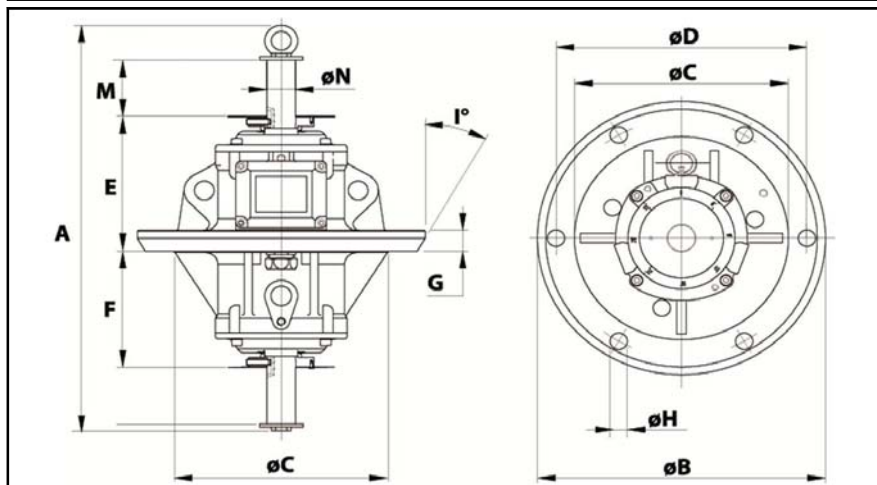
Lubrication LONG-LIFE with KLUEBER STABURAGS NBU 8EP.

Re lubrication quantity after 1000 hours of using: 30g

Max quantity by replaced bearing: 16g

Fixing with 6 screws M20 - 13/16" quality 8.8 with tightening torque (kgm - ft/lb): 19 - 137

Power supply cable size: 12.5 à 15 mm - Cable entry thread: M25x1,5



A	476
B	350
C	260
D	305
E	174
F	150
G	27
N° HOLES	6
H	21
I	30
L	71
M	71
N	35