

ACBMV B. CASADIO VIBRATION
 Z.I. Mi-Plaine
 51 Rue Ampère
 B.P. 31
 69682 CHASSIEU CEDEX (FRANCE)
 Tel.: 04 78 90 87 87 / Fax.: 04 78 90 87 88
 Email: vibrateur@orange.fr
 Internet: acbmv.com

4 POLES - 1500 RPM ATEX II 2D tD A21 IP 66 ZONE 21-22
 REF.: 601280A Dust T°=120°C
 SIZE: 40

Certifications:



MECHANICAL AND ELECTRICAL SPECIFICATIONS

Eccentric weight setup (%)	Centrifugal force weight up/down (kg)	Static moment weight	Centrifugal force weight up/down (kN)	Static moment weight up (kgmm)	Estimated bearings life time (hours)
100	522/522	207	5,12/5,12	207	29700
90	469,8/469,8	186,30	4,61/4,61	186,30	42197
80	417,6/417,6	165,60	4,10/4,10	165,60	62487
70	365,4/365,4	144,90	3,58/3,58	144,90	97521
60	313,2/313,2	124,20	3,07/3,07	124,20	>100000
50	261/261	103,50	2,56/2,56	103,50	>100000
40	208,8/208,8	82,80	2,05/2,05	82,80	>100000
30	156,6/156,6	62,10	1,54/1,54	62,10	>100000
20	104,4/104,4	41,40	1,02/1,02	41,40	>100000
10	52,2/52,2	20,70	0,51/0,51	20,70	>100000

Power supply (volts)	400
Phases:	three phases
Frequency (Hz)	50 Hz
Rotation speed (RPM)	1500
Max input power (watt)	900
Max current (amp)	1,45
IS/IR	4,1

DIMENSIONAL SPECIFICATIONS (mm)

Vibrator weight: 36 kg

Continual service ambient temperature: -20°C à +40°C - Tropicalization anti-mold - Mechanical protection: IP66 IK08 according to IEC

Bearing type: ROLLER

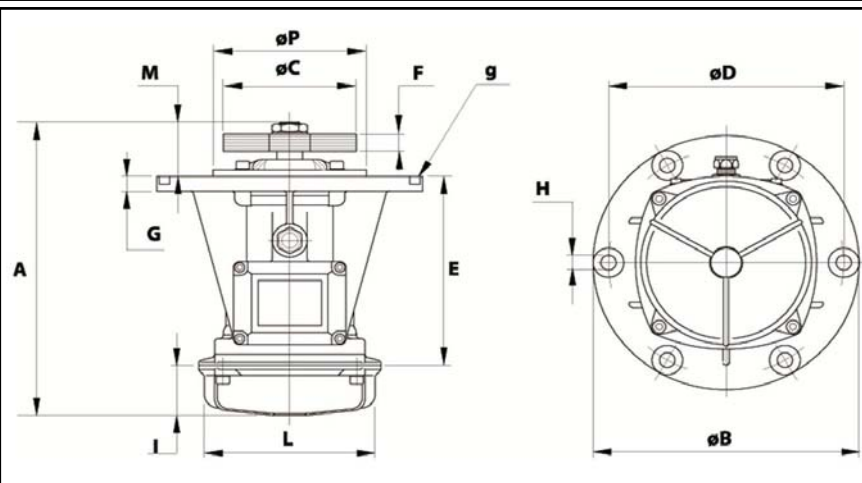
Lubrication LONG-LIFE with KLUEBER STABURAGS NBU 8EP.

Re lubrication quantity after 1000 hours of using: 16g

Max quantity by replaced bearing: 9g

Fixing with 4 screws M12 - 1/2" quality 8.8 with tightening torque (kgm - ft/lb): 8 - 58

Power supply cable size: 9 à 16 mm - Cable entry thread: M25x1,5



A	426
B	279
C	190
D	254
H	14
N° TROUS	4
E	-
F	49
G	17,5
I	57,5
L	-
M	84,5
P	229