

ACBMV B. CASADIO VIBRATION
 Z.I. Mi-Plaine
 51 Rue Ampère
 B.P. 31
 69682 CHASSIEU CEDEX (FRANCE)
 Tel.: 04 78 90 87 87 / Fax.: 04 78 90 87 88
 Email: vibrateur@orange.fr
 Internet: acbmv.com

4 POLES - 1500 RPM ATEX II 2D tD A21 IP 66 ZONE 21-22
 REF.: 601379A Dust T°=150°C
 SIZE: 50

Certifications:



MECHANICAL AND ELECTRICAL SPECIFICATIONS

Eccentric weight setup (%)	Centrifugal force weight up/down (kg)	Static moment weight	Centrifugal force weight up/down (kN)	Static moment weight up (kgmm)	Estimated bearings life time (hours)
100	894/322	123	8,77/3,16	341	22250
90	804,6/289,8	110,70	7,89/2,84	306,90	31612
80	715,2/257,6	98,40	7,02/2,53	272,80	46813
70	625,8/225,4	86,10	6,14/2,21	238,70	73058
60	536,4/193,2	73,80	5,26/1,90	204,60	>100000
50	447/161	61,50	4,39/1,58	170,50	>100000
40	357,6/128,8	49,20	3,51/1,26	136,40	>100000
30	268,2/96,6	36,90	2,63/0,95	102,30	>100000
20	178,8/64,4	24,60	1,75/0,63	68,20	>100000
10	89,4/32,2	12,30	0,88/0,32	34,10	>100000

Power supply (volts)	400
Phases:	three phases
Frequency (Hz)	50 Hz
Rotation speed (RPM)	1500
Max input power (watt)	1100
Max current (amp)	2
IS/IR	4,29

DIMENSIONAL SPECIFICATIONS (mm)

Vibrator weight: 44 kg

Continual service ambient temperature: -20°C à +40°C - Tropicalization anti-mold - Mechanical protection: IP66 IK08 according to IEC

Bearing type: ROLLER

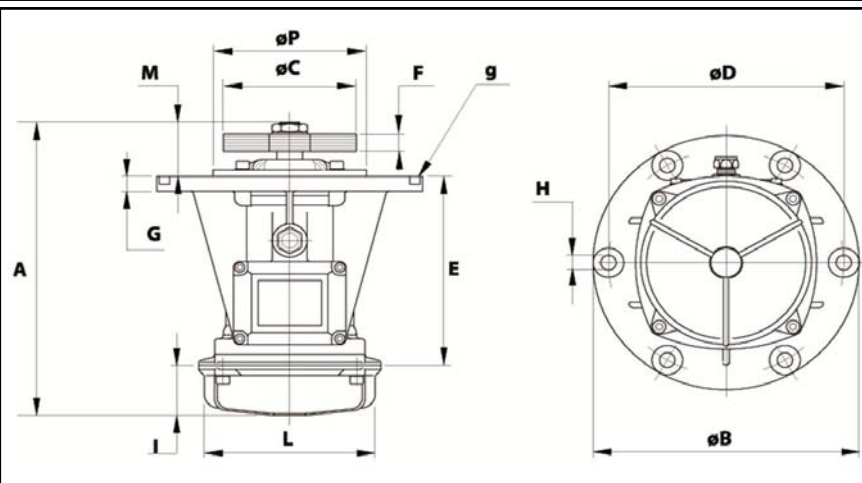
Lubrication LONG-LIFE with KLUEBER STABURAGS NBU 8EP.

Re lubrication quantity after 1000 hours of using: 32g

Max quantity by replaced bearing: 16g

Fixing with 6 screws M16 - 5/8" quality 8.8 with tightening torque (kgm - ft/lb): 19 - 137

Power supply cable size: 9 à 16 mm - Cable entry thread: M25x1,5



A	488
B	350
C	190
D	290
H	17
N° TROUS	6
E	232
F	84 (50Hz) 58 (60Hz)
G	18
I	134
L	209
M	122
P	172