

ACBMV B. CASADIO VIBRATION  
 Z.I. Mi-Plaine  
 51 Rue Ampère  
 B.P. 31  
 69682 CHASSIEU CEDEX (FRANCE)  
 Tel.: 04 78 90 87 87 / Fax.: 04 78 90 87 88  
 Email: [vibrateur@orange.fr](mailto:vibrateur@orange.fr)  
 Internet: [acbmv.com](http://acbmv.com)

4 POLES - 1500 RPM      ATEX II 2D tD A21 IP 66 ZONE 21-22  
 REF.: 601380A              Dust T°=170°C  
 SIZE: 50

Certifications:



### MECHANICAL AND ELECTRICAL SPECIFICATIONS

Eccentric weight setup (%)	Centrifugal force weight up/down (kg)	Static moment weight	Centrifugal force weight up/down (kN)	Static moment weight up (kgmm)	Estimated bearings life time (hours)
100	1021/357	136	10,02/3,50	389	15000
90	918,9/321,3	122,40	9,02/3,15	350,10	21312
80	816,8/285,6	108,80	8,02/2,80	311,20	31559
70	714,7/249,9	95,20	7,01/2,45	272,30	49253
60	612,6/214,2	81,60	6,01/2,10	233,40	82335
50	510,5/178,5	68,00	5,01/1,75	194,50	>100000
40	408,4/142,8	54,40	4,01/1,40	155,60	>100000
30	306,3/107,1	40,80	3,01/1,05	116,70	>100000
20	204,2/71,4	27,20	2,00/0,70	77,80	>100000
10	102,1/35,7	13,60	1,00/0,35	38,90	>100000

Power supply (volts)	400
Phases:	three phases
Frequency (Hz)	50 Hz
Rotation speed (RPM)	1500
Max input power (watt)	1350
Max current (amp)	2,5
IS/IR	4,3

### DIMENSIONAL SPECIFICATIONS (mm)

**Vibrator weight: 48 kg**

Continual service ambient temperature: -20°C à +40°C - Tropicalization anti-mold - Mechanical protection: IP66 IK08 according to IEC

Bearing type: ROLLER

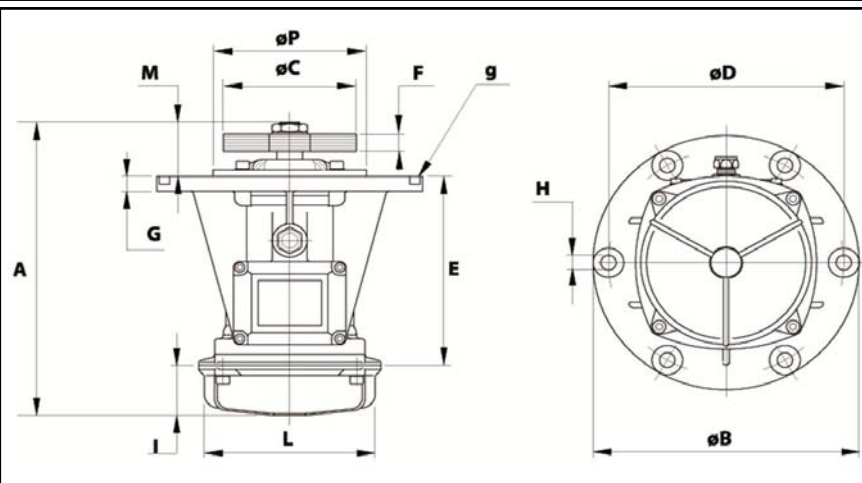
Lubrication LONG-LIFE with KLUEBER STABURAGS NBU 8EP.

Re lubrication quantity after 1000 hours of using: 32g

Max quantity by replaced bearing: 16g

Fixing with 6 screws M16 - 5/8" quality 8.8 with tightening torque (kgm - ft/lb): 19 - 137

Power supply cable size: 9 à 16 mm - Cable entry thread: M25x1,5



A	561
B	350
C	190
D	290
H	17
N° TROUS	6
E	232
F	96 (50Hz) 66 (60Hz)
G	18
I	171
L	209
M	158
P	172