

VIBRATOR TYPE: MTF 15/200-S02 230/400 VOLTS THREE PHASES 50 Hz

ACBMV B. CASADIO VIBRATION
 Z.I. Mi-Plaine
 51 Rue Ampère
 B.P. 31
 69682 CHASSIEU CEDEX (FRANCE)
 Tel.: 04 78 90 87 87 / Fax.: 04 78 90 87 88
 Email: vibrateur@orange.fr
 Internet: acbmv.com

4 POLES - 1500 RPM ATEX II 2D tD A21 IP 66 ZONE 21-22
 REF.: 601403A Dust T°=120°C
 SIZE: 10

Certifications:



MECHANICAL AND ELECTRICAL SPECIFICATIONS

Eccentric weight setup (%)	Centrifugal force weight up/down (kg)	Static moment weight	Centrifugal force weight up/down (kN)	Static moment weight up (kgmm)	Estimated bearings life time (hours)
100	106/74	29,4	1,04/0,73	42,1	23406
90	95,4/66,6	26,46	0,94/0,66	37,89	32107
80	84,8/59,2	23,52	0,83/0,58	33,68	45715
70	74,2/51,8	20,58	0,73/0,51	29,47	68239
60	63,6/44,4	17,64	0,62/0,44	25,26	>100000
50	53/37	14,70	0,52/0,37	21,05	>100000
40	42,4/29,6	11,76	0,42/0,29	16,84	>100000
30	31,8/22,2	8,82	0,31/0,22	12,63	>100000
20	21,2/14,8	5,88	0,21/0,15	8,42	>100000
10	10,6/7,4	2,94	0,10/0,07	4,21	>100000

Power supply (volts)	400
Phases:	three phases
Frequency (Hz)	50 Hz
Rotation speed (RPM)	1500
Max input power (watt)	170
Max current (amp)	0,41
IS/IR	2,34

DIMENSIONAL SPECIFICATIONS (mm)

Vibrator weight: 14 kg

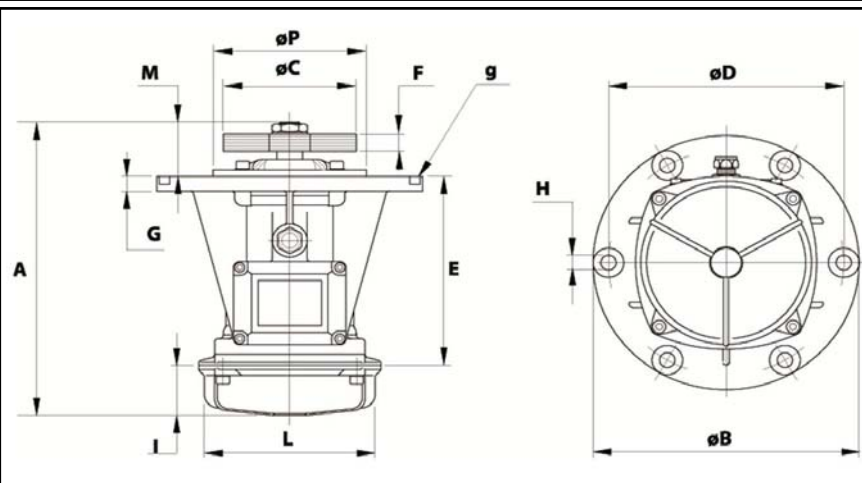
Continual service ambient temperature: -20°C à +40°C - Tropicalization anti-mold - Mechanical protection: IP66 IK08 according to IEC

Bearing type: BALL

Lubrication "FOR LIFE" with double protection screen

Fixing with 4 screws M10 - 7/16" quality 8.8 with tightening torque (kgm - ft/lb): 4.80 - 35

Power supply cable size: 6.5 à 12 mm - Cable entry thread: M20x1,5



A	292,5
B	215
C	114 (50Hz) 108 (60Hz)
D	187
H	12
N° TROUS	4
E	179,5
F	48 (50Hz) 40 (60Hz)
G	13
I	77
L	127
M	36
P	-