

## VIBRATOR TYPE: MTF 15/400-S02 230/400 VOLTS THREE PHASES 50 Hz

ACBMV B. CASADIO VIBRATION  
 Z.I. Mi-Plaine  
 51 Rue Ampère  
 B.P. 31  
 69682 CHASSIEU CEDEX (FRANCE)  
 Tel.: 04 78 90 87 87 / Fax.: 04 78 90 87 88  
 Email: [vibrateur@orange.fr](mailto:vibrateur@orange.fr)  
 Internet: [acbmv.com](http://acbmv.com)

4 POLES - 1500 RPM      ATEX II 2D tD A21 IP 66 ZONE 21-22  
 REF.: 601405A              Dust T°=120°C  
 SIZE: 20

Certifications:



### MECHANICAL AND ELECTRICAL SPECIFICATIONS

Eccentric weight setup (%)	Centrifugal force weight up/down (kg)	Static moment weight	Centrifugal force weight up/down (kN)	Static moment weight up (kgmm)	Estimated bearings life time (hours)
100	205/142	56,3	2,01/1,39	81,3	15135
90	184,5/127,8	50,67	1,81/1,25	73,17	20761
80	164/113,6	45,04	1,61/1,11	65,04	29561
70	143,5/99,4	39,41	1,41/0,97	56,91	44125
60	123/85,2	33,78	1,21/0,83	48,78	70069
50	102,5/71	28,15	1,01/0,70	40,65	>100000
40	82/56,8	22,52	0,80/0,56	32,52	>100000
30	61,5/42,6	16,89	0,60/0,42	24,39	>100000
20	41/28,4	11,26	0,40/0,28	16,26	>100000
10	20,5/14,2	5,63	0,20/0,14	8,13	>100000

Power supply (volts)	400
Phases:	three phases
Frequency (Hz)	50 Hz
Rotation speed (RPM)	1500
Max input power (watt)	300
Max current (amp)	0,6
IS/IR	3,33

### DIMENSIONAL SPECIFICATIONS (mm)

**Vibrator weight: 20,6 kg**

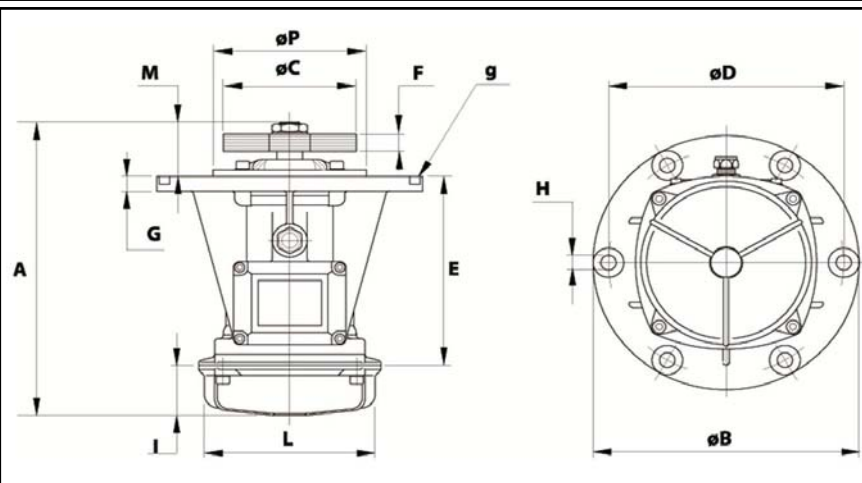
Continual service ambient temperature: -20°C à +40°C - Tropicalization anti-mold - Mechanical protection: IP66 IK08 according to IEC

Bearing type: BALL

Lubrication "FOR LIFE" with double protection screen

Fixing with 6 screws M10 - 7/16" quality 8.8 with tightening torque (kgm - ft/lb): 4.80 - 35

Power supply cable size: 9 à 16 mm - Cable entry thread: M25x1,5



A	335,5
B	245
C	130
D	205
H	12
N° TROUS	6
E	124
F	59 (50Hz) 42 (60Hz)
G	12
I	93
L	145
M	118,5
P	162
