

ACBMV B. CASADIO VIBRATION
 Z.I. Mi-Plaine
 51 Rue Ampère
 B.P. 31
 69682 CHASSIEU CEDEX (FRANCE)
 Tel.: 04 78 90 87 87 / Fax.: 04 78 90 87 88
 Email: vibrateur@orange.fr
 Internet: acbm.com

4 POLES - 1500 RPM ATEX II 2D tD A21 IP 66 ZONE 21-22
 REF.: 601406A Dust T°=120°C
 SIZE: 20

Certifications:



MECHANICAL AND ELECTRICAL SPECIFICATIONS

Eccentric weight setup (%)	Centrifugal force weight up/down (kg)	Static moment weight	Centrifugal force weight up/down (kN)	Static moment weight up (kgmm)	Estimated bearings life time (hours)
100	276/205	81,3	2,71/2,01	110	6266
90	248,4/184,5	73,17	2,44/1,81	99,00	8595
80	220,8/164	65,04	2,17/1,61	88,00	12238
70	193,2/143,5	56,91	1,90/1,41	77,00	18268
60	165,6/123	48,78	1,63/1,21	66,00	29009
50	138/102,5	40,65	1,36/1,01	55,00	50128
40	110,4/82	32,52	1,08/0,80	44,00	97906
30	82,8/61,5	24,39	0,81/0,60	33,00	>100000
20	55,2/41	16,26	0,54/0,40	22,00	>100000
10	27,6/20,5	8,13	0,27/0,20	11,00	>100000

Power supply (volts)	400
Phases:	three phases
Frequency (Hz)	50 Hz
Rotation speed (RPM)	1500
Max input power (watt)	300
Max current (amp)	0,6
IS/IR	3,33

DIMENSIONAL SPECIFICATIONS (mm)

Vibrator weight: 22 kg

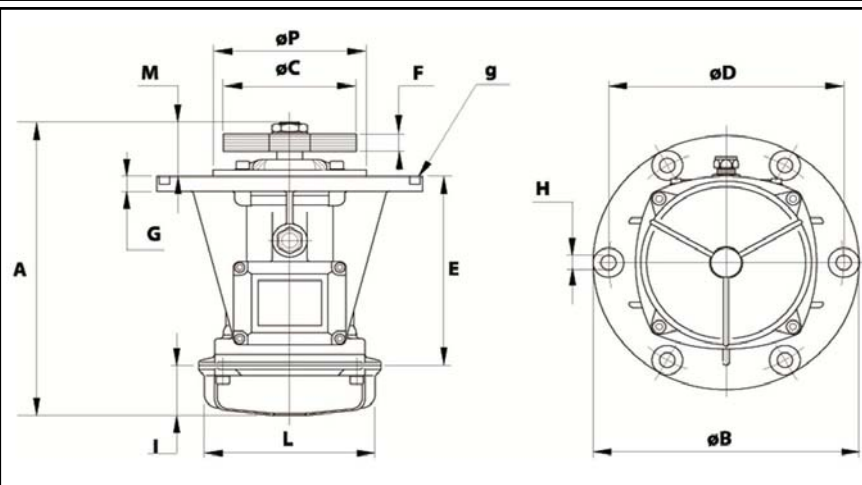
Continual service ambient temperature: -20°C à +40°C - Tropicalization anti-mold - Mechanical protection: IP66 IK08 according to IEC

Bearing type: BALL

Lubrication "FOR LIFE" with double protection screen

Fixing with 6 screws M10 - 7/16" quality 8.8 with tightening torque (kgm - ft/lb): 4.80 - 35

Power supply cable size: 9 à 16 mm - Cable entry thread: M25x1,5



A	376,5
B	245
C	130
D	205
H	12
N° TROUS	6
E	124
F	79 (50Hz) 59 (60Hz)
G	12
I	114
L	145
M	138,5
P	162