

VIBRATOR TYPE: MTF 15/550-S02 260/460 VOLTS THREE PHASES 60 Hz

ACBMV B. CASADIO VIBRATION
 Z.I. Mi-Plaine
 51 Rue Ampère
 B.P. 31
 69682 CHASSIEU CEDEX (FRANCE)
 Tel.: 04 78 90 87 87 / Fax.: 04 78 90 87 88
 Email: vibrateur@orange.fr
 Internet: acbmv.com

4 POLES - 1800 RPM ATEX II 2D tD A21 IP 66 ZONE 21-22
 REF.: 601406C Dust T°=120°C
 SIZE: 20

Certifications:



MECHANICAL AND ELECTRICAL SPECIFICATIONS

| Eccentric weight setup (%) | Centrifugal force weight up/down (kg) | Static moment weight | Centrifugal force weight up/down (kN) | Static moment weight up (kgmm) | Estimated bearings life time (hours) |
|----------------------------|---------------------------------------|----------------------|---------------------------------------|--------------------------------|--------------------------------------|
| 100 | 295/295 | 81,5 | 2,89/2,89 | 81,5 | 4224 |
| 90 | 265,5/265,5 | 73,35 | 2,60/2,60 | 73,35 | 5794 |
| 80 | 236/236 | 65,20 | 2,31/2,31 | 65,20 | 8250 |
| 70 | 206,5/206,5 | 57,05 | 2,02/2,02 | 57,05 | 12315 |
| 60 | 177/177 | 48,90 | 1,73/1,73 | 48,90 | 19556 |
| 50 | 147,5/147,5 | 40,75 | 1,45/1,45 | 40,75 | 33792 |
| 40 | 118/118 | 32,60 | 1,16/1,16 | 32,60 | 66000 |
| 30 | 88,5/88,5 | 24,45 | 0,87/0,87 | 24,45 | >100000 |
| 20 | 59/59 | 16,30 | 0,58/0,58 | 16,30 | >100000 |
| 10 | 29,5/29,5 | 8,15 | 0,29/0,29 | 8,15 | >100000 |

| | |
|------------------------|--------------|
| Power supply (volts) | 460 |
| Phases: | three phases |
| Frequency (Hz) | 60 Hz |
| Rotation speed (RPM) | 1800 |
| Max input power (watt) | 350 |
| Max current (amp) | 0,6 |
| IS/IR | 3,5 |

DIMENSIONAL SPECIFICATIONS (mm)

Vibrator weight: 20,6 kg

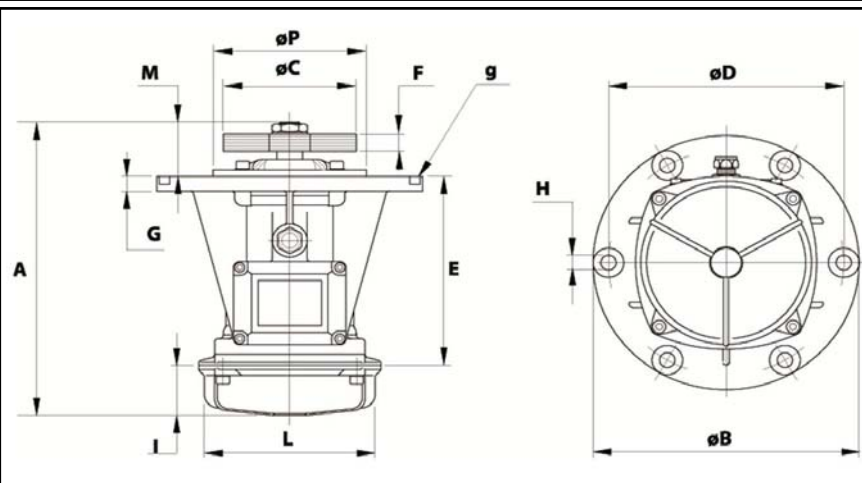
Continual service ambient temperature: -20°C à +40°C - Tropicalization anti-mold - Mechanical protection: IP66 IK08 according to IEC

Bearing type: BALL

Lubrication "FOR LIFE" with double protection screen

Fixing with 6 screws M10 - 7/16" quality 8.8 with tightening torque (kgm - ft/lb): 4.80 - 35

Power supply cable size: 9 à 16 mm - Cable entry thread: M25x1,5



| | |
|----------|---------------------|
| A | 376,5 |
| B | 245 |
| C | 130 |
| D | 205 |
| H | 12 |
| N° TROUS | 6 |
| E | 124 |
| F | 79 (50Hz) 59 (60Hz) |
| G | 12 |
| I | 114 |
| L | 145 |
| M | 138,5 |
| P | 162 |