

VIBRATOR TYPE: MTF 15/700-S02 230/400 VOLTS THREE PHASES 50 Hz

ACBMV B. CASADIO VIBRATION
 Z.I. Mi-Plaine
 51 Rue Ampère
 B.P. 31
 69682 CHASSIEU CEDEX (FRANCE)
 Tel.: 04 78 90 87 87 / Fax.: 04 78 90 87 88
 Email: vibrateur@orange.fr
 Internet: acbmv.com

4 POLES - 1500 RPM ATEX II 2D tD A21 IP 66 ZONE 21-22
 REF.: 601407A Dust T°=120°C
 SIZE: 30

Certifications:



MECHANICAL AND ELECTRICAL SPECIFICATIONS

Eccentric weight setup (%)	Centrifugal force weight up/down (kg)	Static moment weight	Centrifugal force weight up/down (kN)	Static moment weight up (kgmm)	Estimated bearings life time (hours)
100	360/263	143	3,53/2,58	143	17199
90	324/236,7	128,70	3,18/2,32	128,70	24436
80	288/210,4	114,40	2,82/2,06	114,40	36186
70	252/184,1	100,10	2,47/1,81	100,10	56473
60	216/157,8	85,80	2,12/1,55	85,80	94406
50	180/131,5	71,50	1,77/1,29	71,50	>100000
40	144/105,2	57,20	1,41/1,03	57,20	>100000
30	108/78,9	42,90	1,06/0,77	42,90	>100000
20	72/52,6	28,60	0,71/0,52	28,60	>100000
10	36/26,3	14,30	0,35/0,26	14,30	>100000

Power supply (volts)	400
Phases:	three phases
Frequency (Hz)	50 Hz
Rotation speed (RPM)	1500
Max input power (watt)	525
Max current (amp)	0,92
IS/IR	3,48

DIMENSIONAL SPECIFICATIONS (mm)

Vibrator weight: 26 kg

Continual service ambient temperature: -20°C à +40°C - Tropicalization anti-mold - Mechanical protection: IP66 IK08 according to IEC

Bearing type: ROLLER

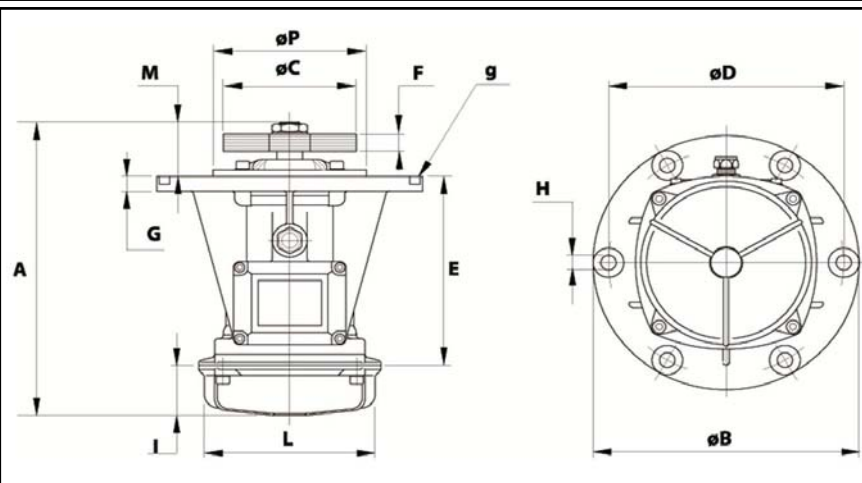
Lubrication LONG-LIFE with KLUEBER STABURAGS NBU 8EP.

Re lubrication quantity after 1000 hours of using: 8g

Max quantity by replaced bearing: 4g

Fixing with 6 screws M10 - 7/16" quality 8.8 with tightening torque (kgm - ft/lb): 4.80 - 35

Power supply cable size: 9 à 16 mm - Cable entry thread: M25x1,5



A	380,5
B	260
C	154
D	230
H	15
N° TROUS	6
E	182
F	59 (50Hz) 46 (60Hz)
G	15
I	106
L	170
M	92,5
P	150
