

ACBMV B. CASADIO VIBRATION  
 Z.I. Mi-Plaine  
 51 Rue Ampère  
 B.P. 31  
 69682 CHASSIEU CEDEX (FRANCE)  
 Tel.: 04 78 90 87 87 / Fax.: 04 78 90 87 88  
 Email: [vibrateur@orange.fr](mailto:vibrateur@orange.fr)  
 Internet: [acbmv.com](http://acbmv.com)

4 POLES - 1500 RPM      ATEX II 2D tD A21 IP 66 ZONE 21-22  
 REF.: 601446A              Dust T°=120°C  
 SIZE: 01

Certifications:



### MECHANICAL AND ELECTRICAL SPECIFICATIONS

Eccentric weight setup (%)	Centrifugal force weight up/down (kg)	Static moment weight	Centrifugal force weight up/down (kN)	Static moment weight up (kgmm)	Estimated bearings life time (hours)
100	39/39	15,5	0,38/0,38	15,5	>100000
90	35,1/35,1	13,95	0,34/0,34	13,95	>100000
80	31,2/31,2	12,40	0,30/0,30	12,40	>100000
70	27,3/27,3	10,85	0,27/0,27	10,85	>100000
60	23,4/23,4	9,30	0,23/0,23	9,30	>100000
50	19,5/19,5	7,75	0,19/0,19	7,75	>100000
40	15,6/15,6	6,20	0,15/0,15	6,20	>100000
30	11,7/11,7	4,65	0,11/0,11	4,65	>100000
20	7,8/7,8	3,10	0,08/0,08	3,10	>100000
10	3,9/3,9	1,55	0,04/0,04	1,55	>100000

Power supply (volts)	400
Phases:	three phases
Frequency (Hz)	50 Hz
Rotation speed (RPM)	1500
Max input power (watt)	85
Max current (amp)	0,21
IS/IR	1,78

### DIMENSIONAL SPECIFICATIONS (mm)

**Vibrator weight: 6,8 kg**

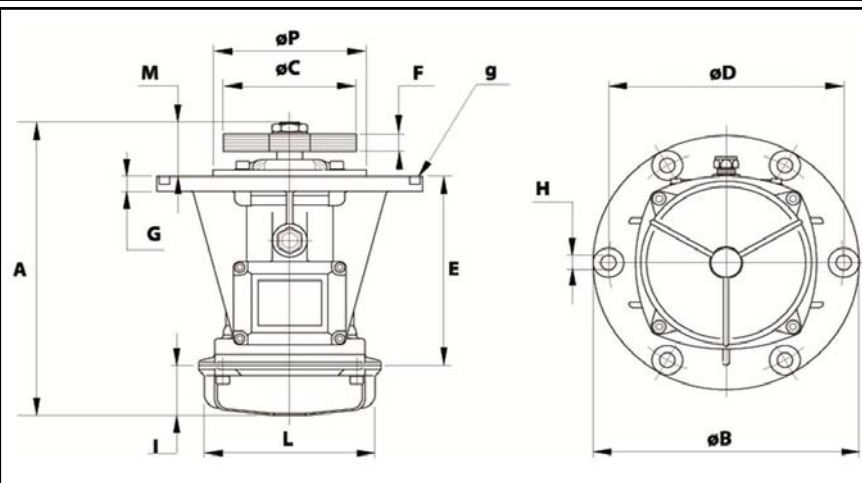
Continual service ambient temperature: -20°C à +40°C - Tropicalization anti-mold - Mechanical protection: IP66 IK08 according to IEC

Bearing type: BALL

Lubrication "FOR LIFE" with double protection screen

Fixing with 4 screws M10 - 7/16" quality 8.8 with tightening torque (kgm - ft/lb): 4.80 - 35

Power supply cable size: 6.5 à 12 mm - Cable entry thread: M20x1,5



A	225,5
B	211,5
C	92
D	188
H	12
N° TROUS	4
E	144
F	31 (50Hz) 21 (60Hz)
G	10
I	58
L	103
M	23,5
P	-