

ACBMV B. CASADIO VIBRATION  
 Z.I. Mi-Plaine  
 51 Rue Ampère  
 B.P. 31  
 69682 CHASSIEU CEDEX (FRANCE)  
 Tel.: 04 78 90 87 87 / Fax.: 04 78 90 87 88  
 Email: [vibrateur@orange.fr](mailto:vibrateur@orange.fr)  
 Internet: [acbm.com](http://acbm.com)

6 POLES - 1000 RPM      ATEX II 2D tD A21 IP 66 ZONE 21-22  
 REF.: 602091A              Dust T°=135°C  
 SIZE: 90

Certifications:



### MECHANICAL AND ELECTRICAL SPECIFICATIONS

Eccentric weight setup (%)	Static moment (kgmm)	Working moment (kgcm)	Centrifugal force (kg)	Centrifugal force (kN)	Estimated bearings life time (hours)
100	5838,00	1167,60	6527	64,00	26569
90	5254,20	1050,84	5874	57,60	37755
80	4670,40	934,08	5222	51,20	55885
70	4086,60	817,32	4569	44,80	87234
60	3502,80	700,56	3916	38,40	>100000
50	2919,00	583,80	3264	32,00	>100000
40	2335,20	467,04	2611	25,60	>100000
30	1751,40	350,28	1958	19,20	>100000
20	1167,60	233,52	1305	12,80	>100000
10	583,80	116,76	653	6,40	>100000

Power supply (volts)	400
Phases:	three phases
Frequency (Hz)	50 Hz
Rotation speed (RPM)	1000
Max input power (watt)	4300
Max current (amp)	8,20
IS/IR	4,51

### DIMENSIONAL SPECIFICATIONS (mm)

**Vibrator weight: 268,0 kg**

Continual service ambient temperature: -20°C à +40°C - Tropicalization anti-mold - Mechanical protection: IP66 IK08 according to IEC

Bearing type: ROLLER

Lubrication LONG-LIFE with KLUEBER STABURAGS NBU 8EP.

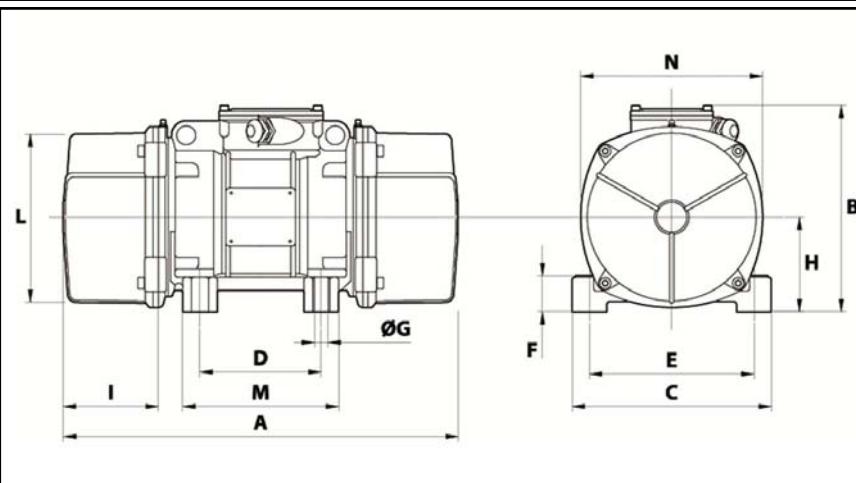
Re lubrication quantity after 1000 hours of using: 60g

Max quantity by replaced bearing: 120g

Fixing with 4 screws M27 - 1" quality 8.8 with tightening torque (kgm - ft/lb): 89 - 645

Power supply cable size: 13 à 20 mm - Cable entry thread: M32x1,5

Maintenance space: 240 mm



A	840
B	370
C	390
D	200
E	320
F	90
G	28
N° HOLES	4
H	180
I	240
L	330
M	270
N	350