

ACBMV B. CASADIO VIBRATION
 Z.I. Mi-Plaine
 51 Rue Ampère
 B.P. 31
 69682 CHASSIEU CEDEX (FRANCE)
 Tel.: 04 78 90 87 87 / Fax.: 04 78 90 87 88
 Email: vibrateur@orange.fr
 Internet: acbmv.com

6 POLES - 1200 RPM ATEX II 2D tD A21 IP 66 ZONE 21-22
 REF.: 602091C Dust T°=135°C
 SIZE: 90

Certifications:



MECHANICAL AND ELECTRICAL SPECIFICATIONS

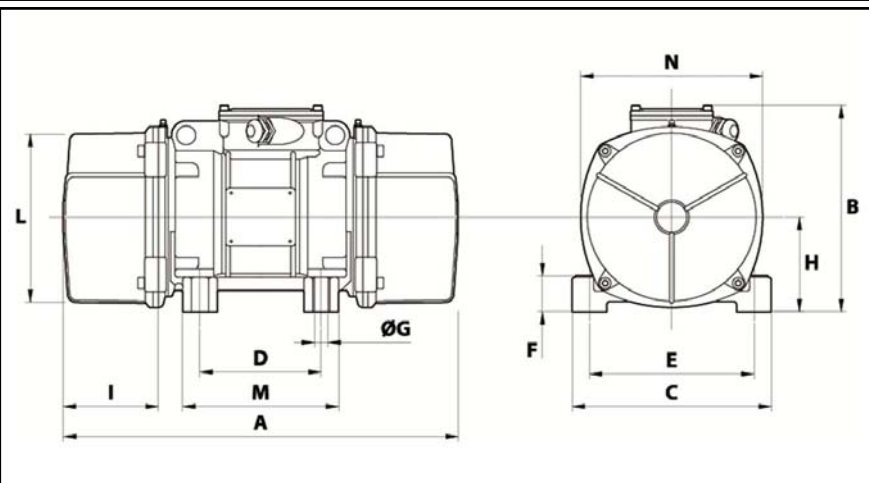
| Eccentric weight setup (%) | Static moment (kgmm) | Working moment (kgcm) | Centrifugal force (kg) | Centrifugal force (kN) | Estimated bearings life time (hours) |
|----------------------------|----------------------|-----------------------|------------------------|------------------------|--------------------------------------|
| 100 | 4055,00 | 811,00 | 6529 | 64,00 | 22118 |
| 90 | 3649,50 | 729,90 | 5876 | 57,60 | 31426 |
| 80 | 3244,00 | 648,80 | 5223 | 51,20 | 46541 |
| 70 | 2838,50 | 567,70 | 4570 | 44,80 | 72641 |
| 60 | 2433,00 | 486,60 | 3917 | 38,40 | >100000 |
| 50 | 2027,50 | 405,50 | 3265 | 32,00 | >100000 |
| 40 | 1622,00 | 324,40 | 2612 | 25,60 | >100000 |
| 30 | 1216,50 | 243,30 | 1959 | 19,20 | >100000 |
| 20 | 811,00 | 162,20 | 1306 | 12,80 | >100000 |
| 10 | 405,50 | 81,10 | 653 | 6,40 | >100000 |

| | |
|------------------------|--------------|
| Power supply (volts) | 460 |
| Phases: | three phases |
| Frequency (Hz) | 60 Hz |
| Rotation speed (RPM) | 1200 |
| Max input power (watt) | 5000 |
| Max current (amp) | 8,10 |
| IS/IR | 5,83 |

DIMENSIONAL SPECIFICATIONS (mm)

Vibrator weight: 258,0 kg

Continual service ambient temperature: -20°C à +40°C - Tropicalization anti-mold - Mechanical protection: IP66 IK08 according to IEC
 Bearing type: ROLLER
 Lubrication LONG-LIFE with KLUEBER STABURAGS NBU 8EP.
 Re lubrication quantity after 1000 hours of using: 60g
 Max quantity by replaced bearing: 120g
 Fixing with 4 screws M27 - 1" quality 8.8 with tightening torque (kgm - ft/lb): 89 - 645
 Power supply cable size: 13 à 20 mm - Cable entry thread: M32x1,5
 Maintenance space: 240 mm



| | |
|----------|-----|
| A | 840 |
| B | 370 |
| C | 390 |
| D | 200 |
| E | 320 |
| F | 90 |
| G | 28 |
| N° HOLES | 4 |
| H | 180 |
| I | 240 |
| L | 330 |
| M | 270 |
| N | 350 |