

ACBMV B. CASADIO VIBRATION
 Z.I. Mi-Plaine
 51 Rue Ampère
 B.P. 31
 69682 CHASSIEU CEDEX (FRANCE)
 Tel.: 04 78 90 87 87 / Fax.: 04 78 90 87 88
 Email: vibrateur@orange.fr
 Internet: acbmv.com

6 POLES - 1000 RPM ATEX II 2D tD A21 IP 66 ZONE 21-22
 REF.: 602092A Dust T°=135°C
 SIZE: 95

Certifications:



MECHANICAL AND ELECTRICAL SPECIFICATIONS

Eccentric weight setup (%)	Static moment (kgmm)	Working moment (kgcm)	Centrifugal force (kg)	Centrifugal force (kN)	Estimated bearings life time (hours)
100	7197,00	1439,40	8046	78,90	24113
90	6477,30	1295,46	7241	71,01	34265
80	5757,60	1151,52	6437	63,12	50727
70	5037,90	1007,58	5632	55,23	79185
60	4318,20	863,64	4828	47,34	>100000
50	3598,50	719,70	4023	39,45	>100000
40	2878,80	575,76	3218	31,56	>100000
30	2159,10	431,82	2414	23,67	>100000
20	1439,40	287,88	1609	15,78	>100000
10	719,70	143,94	805	7,89	>100000

Power supply (volts)	400
Phases:	three phases
Frequency (Hz)	50 Hz
Rotation speed (RPM)	1000
Max input power (watt)	7000
Max current (amp)	12,60
IS/IR	4,59

DIMENSIONAL SPECIFICATIONS (mm)

Vibrator weight: 315,0 kg

Continual service ambient temperature: -20°C à +40°C - Tropicalization anti-mold - Mechanical protection: IP66 IK08 according to IEC

Bearing type: ROLLER

Lubrication LONG-LIFE with KLUEBER STABURAGS NBU 8EP.

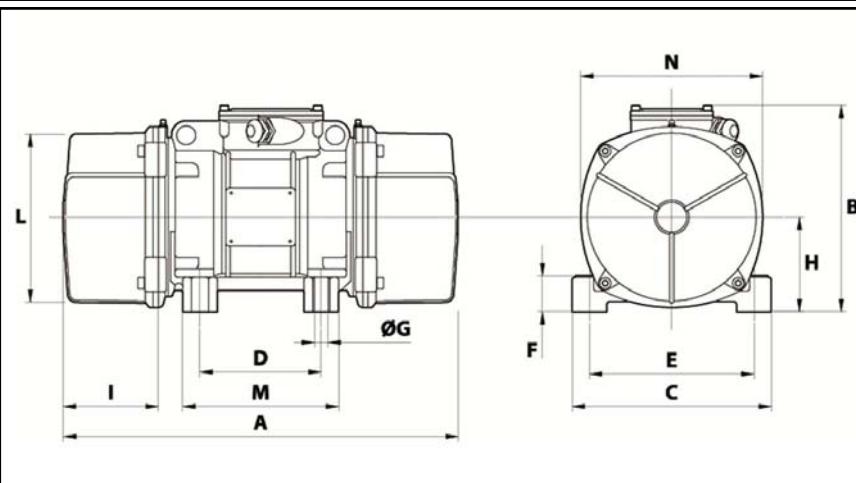
Re lubrication quantity after 1000 hours of using: 80g

Max quantity by replaced bearing: 150g

Fixing with 4 screws M27 - 1" quality 8.8 with tightening torque (kgm - ft/lb): 89 - 645

Power supply cable size: 13 à 20 mm - Cable entry thread: M32x1,5

Maintenance space: 255 mm



A	870
B	395
C	392
D	200
E	320
F	100
G	28
N° HOLES	4
H	192
I	255
L	355
M	270
N	375
