

ACBMV B. CASADIO VIBRATION
 Z.I. Mi-Plaine
 51 Rue Ampère
 B.P. 31
 69682 CHASSIEU CEDEX (FRANCE)
 Tel.: 04 78 90 87 87 / Fax.: 04 78 90 87 88
 Email: vibrateur@orange.fr
 Internet: acbmv.com

6 POLES - 1200 RPM ATEX II 2D tD A21 IP 66 ZONE 21-22
 REF.: 602092C Dust T°=135°C
 SIZE: 95

Certifications:



MECHANICAL AND ELECTRICAL SPECIFICATIONS

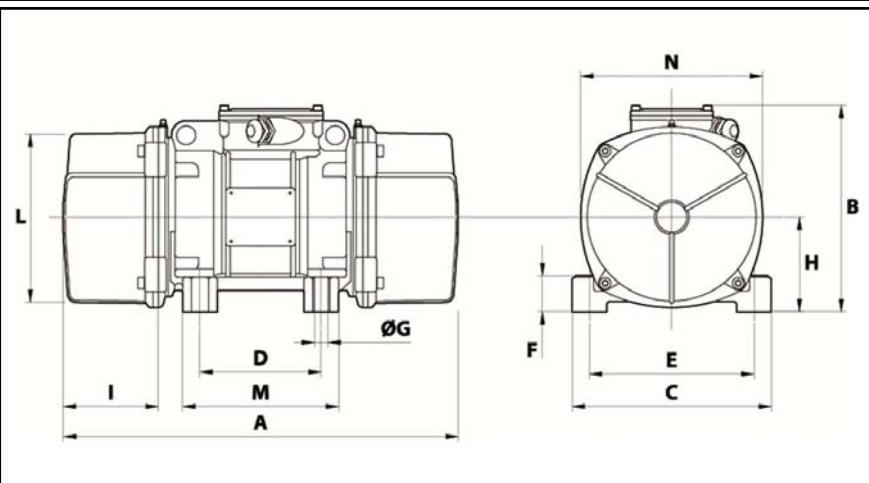
Eccentric weight setup (%)	Static moment (kgmm)	Working moment (kgcm)	Centrifugal force (kg)	Centrifugal force (kN)	Estimated bearings life time (hours)
100	4967,00	993,40	7996	78,40	20516
90	4470,30	894,06	7196	70,56	29154
80	3973,60	794,72	6397	62,72	43160
70	3476,90	695,38	5597	54,88	67373
60	2980,20	596,04	4798	47,04	>100000
50	2483,50	496,70	3998	39,20	>100000
40	1986,80	397,36	3198	31,36	>100000
30	1490,10	298,02	2399	23,52	>100000
20	993,40	198,68	1599	15,68	>100000
10	496,70	99,34	800	7,84	>100000

Power supply (volts)	460
Phases:	three phases
Frequency (Hz)	60 Hz
Rotation speed (RPM)	1200
Max input power (watt)	7500
Max current (amp)	11,30
IS/IR	5,58

DIMENSIONAL SPECIFICATIONS (mm)

Vibrator weight: 277,0 kg

Continual service ambient temperature: -20°C à +40°C - Tropicalization anti-mold - Mechanical protection: IP66 IK08 according to IEC
 Bearing type: ROLLER
 Lubrication LONG-LIFE with KLUEBER STABURAGS NBU 8EP.
 Re lubrication quantity after 1000 hours of using: 80g
 Max quantity by replaced bearing: 150g
 Fixing with 4 screws M27 - 1" quality 8.8 with tightening torque (kgm - ft/lb): 89 - 645
 Power supply cable size: 13 à 20 mm - Cable entry thread: M32x1,5
 Maintenance space: 255 mm



A	870
B	395
C	392
D	200
E	320
F	100
G	28
N° HOLES	4
H	192
I	255
L	355
M	270
N	375