

ACBMV B. CASADIO VIBRATION
 Z.I. Mi-Plaine
 51 Rue Ampère
 B.P. 31
 69682 CHASSIEU CEDEX (FRANCE)
 Tel.: 04 78 90 87 87 / Fax.: 04 78 90 87 88
 Email: vibrateur@orange.fr
 Internet: acbmv.com

6 POLES - 1200 RPM ATEX II 2D tD A21 IP 66 ZONE 21-22
 REF.: 602136C Dust T°=135°C
 SIZE: 97

Certifications:



MECHANICAL AND ELECTRICAL SPECIFICATIONS

Eccentric weight setup (%)	Static moment (kgmm)	Working moment (kgcm)	Centrifugal force (kg)	Centrifugal force (kN)	Estimated bearings life time (hours)
100	3979,00	795,80	6405	62,80	23578
90	3581,10	716,22	5765	56,52	33489
80	3183,20	636,64	5124	50,24	49607
70	2785,30	557,06	4484	43,96	77390
60	2387,40	477,48	3843	37,68	>100000
50	1989,50	397,90	3203	31,40	>100000
40	1591,60	318,32	2562	25,12	>100000
30	1193,70	238,74	1922	18,84	>100000
20	795,80	159,16	1281	12,56	>100000
10	397,90	79,58	641	6,28	>100000

Power supply (volts)	460
Phases:	three phases
Frequency (Hz)	60 Hz
Rotation speed (RPM)	1200
Max input power (watt)	5900
Max current (amp)	9,80
IS/IR	5,82

DIMENSIONAL SPECIFICATIONS (mm)

Vibrator weight: 257,0 kg

Continual service ambient temperature: -20°C à +40°C - Tropicalization anti-mold - Mechanical protection: IP66 IK08 according to IEC

Bearing type: ROLLER

Lubrication LONG-LIFE with KLUEBER STABURAGS NBU 8EP.

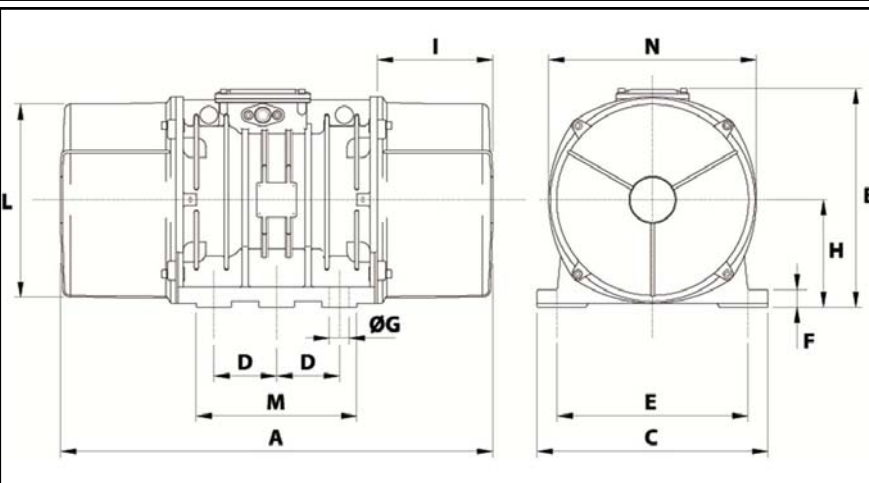
Re lubrication quantity after 1000 hours of using: 60g

Max quantity by replaced bearing: 120g

Fixing with 6 screws M36 - 1 3/8" quality 8.8 with tightening torque (kgm - ft/lb): 190 - 1370

Power supply cable size: 13 à 20 mm - Cable entry thread: M32x1,5

Maintenance space: 174 mm



A	750
B	437
C	460
D	125
E	380
F	35
G	39
N° HOLES	6
H	215
I	174
L	387
M	320
N	414