

ACBMV B. CASADIO VIBRATION
 Z.I. Mi-Plaine
 51 Rue Ampère
 B.P. 31
 69682 CHASSIEU CEDEX (FRANCE)
 Tel.: 04 78 90 87 87 / Fax.: 04 78 90 87 88
 Email: vibrateur@orange.fr
 Internet: acbmv.com

6 POLES - 1200 RPM ATEX II 2D tD A21 IP 66 ZONE 21-22
 REF.: 602137C Dust T°=135°C
 SIZE: 97

Certifications:



MECHANICAL AND ELECTRICAL SPECIFICATIONS

Eccentric weight setup (%)	Static moment (kgmm)	Working moment (kgcm)	Centrifugal force (kg)	Centrifugal force (kN)	Estimated bearings life time (hours)
100	5664,00	1132,80	9117	89,40	18135
90	5097,60	1019,52	8205	80,46	25769
80	4531,20	906,24	7294	71,52	38148
70	3964,80	792,96	6382	62,58	59544
60	3398,40	679,68	5470	53,64	99556
50	2832,00	566,40	4559	44,70	>100000
40	2265,60	453,12	3647	35,76	>100000
30	1699,20	339,84	2735	26,82	>100000
20	1132,80	226,56	1823	17,88	>100000
10	566,40	113,28	912	8,94	>100000

Power supply (volts)	460
Phases:	three phases
Frequency (Hz)	60 Hz
Rotation speed (RPM)	1200
Max input power (watt)	8000
Max current (amp)	12,40
IS/IR	4,92

DIMENSIONAL SPECIFICATIONS (mm)

Vibrator weight: 340,0 kg

Continual service ambient temperature: -20°C à +40°C - Tropicalization anti-mold - Mechanical protection: IP66 IK08 according to IEC

Bearing type: ROLLER

Lubrication LONG-LIFE with KLUEBER STABURAGS NBU 8EP.

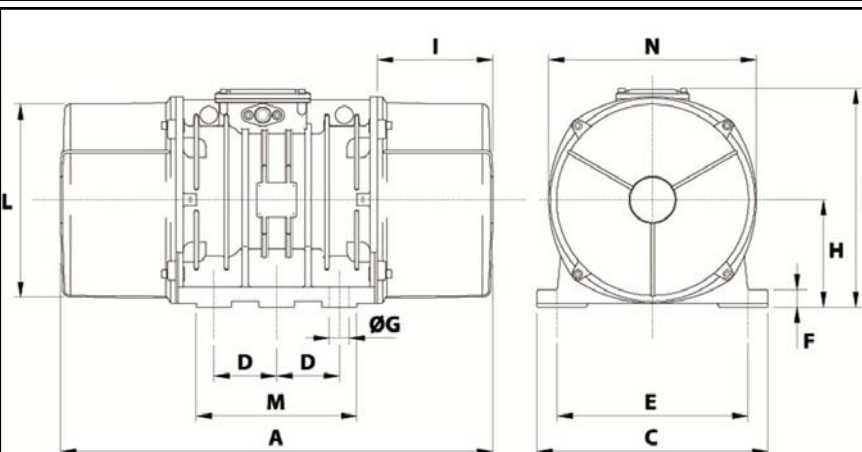
Re lubrication quantity after 1000 hours of using: 90g

Max quantity by replaced bearing: 180g

Fixing with 6 screws M36 - 1 3/8" quality 8.8 with tightening torque (kgm - ft/lb): 190 - 1370

Power supply cable size: 13 à 20 mm - Cable entry thread: M32x1,5

Maintenance space: 230 mm



A	862
B	437
C	460
D	125
E	380
F	35
G	39
N° HOLES	6
H	215
I	230
L	387
M	320
N	414