

ACBMV B. CASADIO VIBRATION  
 Z.I. Mi-Plaine  
 51 Rue Ampère  
 B.P. 31  
 69682 CHASSIEU CEDEX (FRANCE)  
 Tel.: 04 78 90 87 87 / Fax.: 04 78 90 87 88  
 Email: [vibrateur@orange.fr](mailto:vibrateur@orange.fr)  
 Internet: [acbmv.com](http://acbmv.com)

6 POLES - 1200 RPM      ATEX II 2D tD A21 IP 66 ZONE 21-22  
 REF.: 602144C              Dust T°=135°C  
 SIZE: 110

Certifications:



### MECHANICAL AND ELECTRICAL SPECIFICATIONS

Eccentric weight setup (%)	Static moment (kgmm)	Working moment (kgcm)	Centrifugal force (kg)	Centrifugal force (kN)	Estimated bearings life time (hours)
100	12533,00	2506,60	20208	198,00	15640
90	11279,70	2255,94	18187	178,20	22222
80	10026,40	2005,28	16166	158,40	32908
70	8773,10	1754,62	14146	138,60	51349
60	7519,80	1503,96	12125	118,80	85844
50	6266,50	1253,30	10104	99,00	>100000
40	5013,20	1002,64	8083	79,20	>100000
30	3759,90	751,98	6062	59,40	>100000
20	2506,60	501,32	4042	39,60	>100000
10	1253,30	250,66	2021	19,80	>100000

Power supply (volts)	460
Phases:	three phases
Frequency (Hz)	60 Hz
Rotation speed (RPM)	1200
Max input power (watt)	19000
Max current (amp)	25,50
IS/IR	5,88

### DIMENSIONAL SPECIFICATIONS (mm)

**Vibrator weight: 896,0 kg**

Continual service ambient temperature: -20°C à +40°C - Tropicalization anti-mold - Mechanical protection: IP66 IK08 according to IEC

Bearing type: ROLLER

Lubrication LONG-LIFE with KLUEBER STABURAGS NBU 8EP.

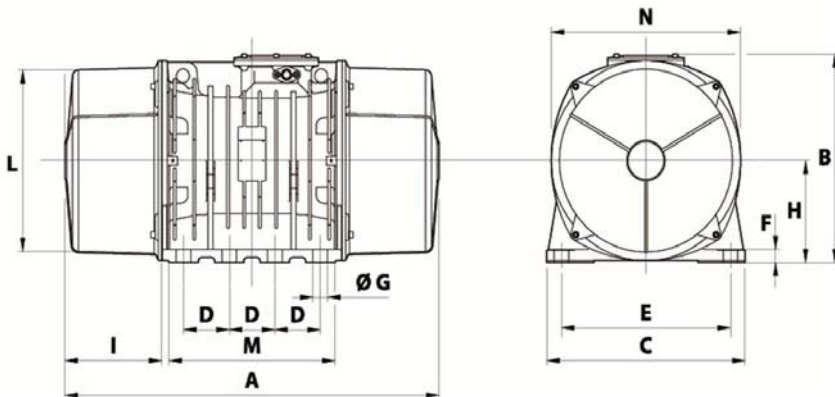
Re lubrication quantity after 1000 hours of using: 220g

Max quantity by replaced bearing: 400g

Fixing with 8 screws M42 - 1 5/8" quality 8.8 with tightening torque (kgm - ft/lb): 290 - 2090

Power supply cable size: 13 à 20 mm - Cable entry thread: M32x1,5

Maintenance space: 297,5 mm



A	1150
B	607
C	610
D	140
E	520
F	38
G	45
N° HOLES	8
H	297
I	298
L	542
M	510
N	582