

ACBMV B. CASADIO VIBRATION  
 Z.I. Mi-Plaine  
 51 Rue Ampère  
 B.P. 31  
 69682 CHASSIEU CEDEX (FRANCE)  
 Tel.: 04 78 90 87 87 / Fax.: 04 78 90 87 88  
 Email: [vibrateur@orange.fr](mailto:vibrateur@orange.fr)  
 Internet: [acbmv.com](http://acbmv.com)

6 POLES - 1200 RPM      ATEX II 2D tD A21 IP 66 ZONE 21-22  
 REF.: 602154C              Dust T°=135°C  
 SIZE: 80

Certifications:



### MECHANICAL AND ELECTRICAL SPECIFICATIONS

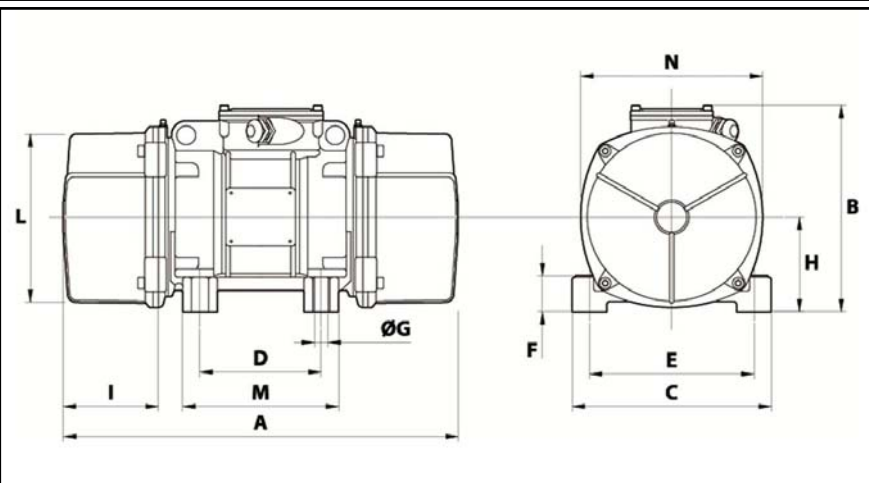
Eccentric weight setup (%)	Static moment (kgmm)	Working moment (kgcm)	Centrifugal force (kg)	Centrifugal force (kN)	Estimated bearings life time (hours)
100	2380,00	476,00	3831	37,60	44824
90	2142,00	428,40	3448	33,84	63679
80	1904,00	380,80	3065	30,08	94287
70	1666,00	333,20	2682	26,32	>100000
60	1428,00	285,60	2299	22,56	>100000
50	1190,00	238,00	1916	18,80	>100000
40	952,00	190,40	1532	15,04	>100000
30	714,00	142,80	1149	11,28	>100000
20	476,00	95,20	766	7,52	>100000
10	238,00	47,60	383	3,76	>100000

Power supply (volts)	460
Phases:	three phases
Frequency (Hz)	60 Hz
Rotation speed (RPM)	1200
Max input power (watt)	3000
Max current (amp)	5,00
IS/IR	6,00

### DIMENSIONAL SPECIFICATIONS (mm)

**Vibrator weight: 170,0 kg**

Continual service ambient temperature: -20°C à +40°C - Tropicalization anti-mold - Mechanical protection: IP66 IK08 according to IEC  
 Bearing type: ROLLER  
 Lubrication LONG-LIFE with KLUEBER STABURAGS NBU 8EP.  
 Re lubrication quantity after 1000 hours of using: 30g  
 Max quantity by replaced bearing: 60g  
 Fixing with 4 screws M24 - 15/16" quality 8.8 with tightening torque (kgm - ft/lb): 71 - 513  
 Power supply cable size: 13 à 20 mm - Cable entry thread: M32x1,5  
 Maintenance space: 202 mm



A	734
B	347
C	340
D	180
E	280
F	80
G	26
N° HOLES	4
H	165
I	202
L	303
M	240
N	320

--	--	--	--	--	--