

ACBMV B. CASADIO VIBRATION
 Z.I. Mi-Plaine
 51 Rue Ampère
 B.P. 31
 69682 CHASSIEU CEDEX (FRANCE)
 Tel.: 04 78 90 87 87 / Fax.: 04 78 90 87 88
 Email: vibrateur@orange.fr
 Internet: acbmv.com

6 POLES - 1000 RPM ATEX II 2D tD A21 IP 66 ZONE 21-22
 REF.: 602167A Dust T°=135°C
 SIZE: 70

Certifications:



MECHANICAL AND ELECTRICAL SPECIFICATIONS

Eccentric weight setup (%)	Static moment (kgmm)	Working moment (kgcm)	Centrifugal force (kg)	Centrifugal force (kN)	Estimated bearings life time (hours)
100	2326,00	465,20	2601	25,50	29337
90	2093,40	418,68	2341	22,95	41675
80	1860,80	372,16	2081	20,40	61704
70	1628,20	325,64	1821	17,85	96276
60	1395,60	279,12	1561	15,30	>100000
50	1163,00	232,60	1301	12,75	>100000
40	930,40	186,08	1040	10,20	>100000
30	697,80	139,56	780	7,65	>100000
20	465,20	93,04	520	5,10	>100000
10	232,60	46,52	260	2,55	>100000

Power supply (volts)	400
Phases:	three phases
Frequency (Hz)	50 Hz
Rotation speed (RPM)	1000
Max input power (watt)	1960
Max current (amp)	4,10
IS/IR	5,35

DIMENSIONAL SPECIFICATIONS (mm)

Vibrator weight: 130,0 kg

Continual service ambient temperature: -20°C à +40°C - Tropicalization anti-mold - Mechanical protection: IP66 IK08 according to IEC

Bearing type: ROLLER

Lubrication LONG-LIFE with KLUEBER STABURAGS NBU 8EP.

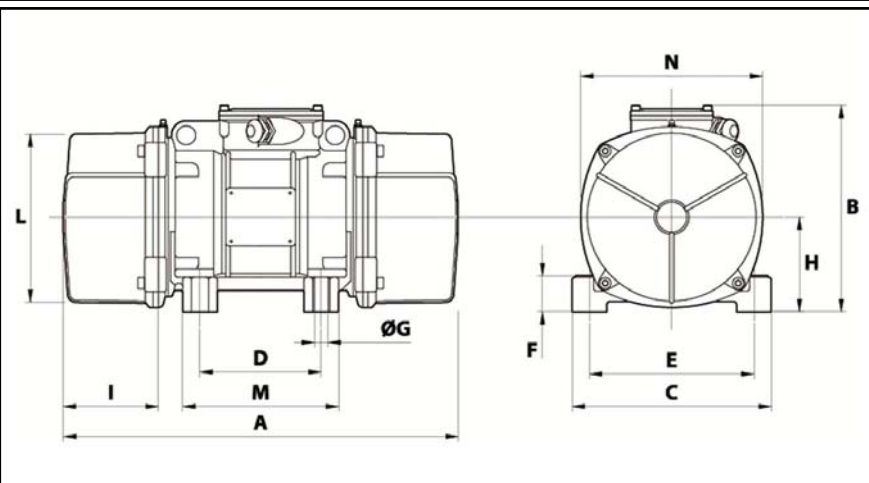
Re lubrication quantity after 1000 hours of using: 18g

Max quantity by replaced bearing: 32g

Fixing with 4 screws M22 - 7/8" quality 8.8 with tightening torque (kgm - ft/lb): 56 - 411

Power supply cable size: 9 à 16 mm - Cable entry thread: M25x1,5

Maintenance space: 178 mm



A	666
B	321
C	310
D	155
E	255
F	77
G	24
N° HOLES	4
H	157
I	178
L	277
M	215
N	295

--	--	--	--	--	--