

ACBMV B. CASADIO VIBRATION
 Z.I. Mi-Plaine
 51 Rue Ampère
 B.P. 31
 69682 CHASSIEU CEDEX (FRANCE)
 Tel.: 04 78 90 87 87 / Fax.: 04 78 90 87 88
 Email: vibrateur@orange.fr
 Internet: acbm.com

6 POLES - 1000 RPM
 REF.: 602201A
 SIZE: 110

Certifications:



MECHANICAL AND ELECTRICAL SPECIFICATIONS

Eccentric weight setup (%)	Static moment (kgmm)	Working moment (kgcm)	Centrifugal force (kg)	Centrifugal force (kN)	Estimated bearings life time (hours)
100	20025	4005,00	22386	220,00	8172
90	18022,50	3604,50	20147	198,00	11611
80	16020,00	3204,00	17909	176,00	17193
70	14017,50	2803,50	15670	154,00	26834
60	12015,00	2403,00	13432	132,00	44852
50	10012,50	2002,50	11193	110,00	82369
40	8010,00	1602,00	8954	88,00	>100000
30	6007,50	1201,50	6716	66,00	>100000
20	4005,00	801,00	4477	44,00	>100000
10	2002,50	400,50	2239	22,00	>100000

Power supply (volts)	400
Phases:	three phases
Frequency (Hz)	50 Hz
Rotation speed (RPM)	1000
Max input power (watt)	Input: 15600 Rating: 11800
Max current (amp)	25,2
IS/IR	5,7

DIMENSIONAL SPECIFICATIONS (mm)

Vibrator weight: 928 kg

Continual service ambient temperature: -20°C à +40°C - Tropicalization anti-mold - Mechanical protection: IP66 IK08 according to IEC

Bearing type: ROLLER

Lubrication LONG-LIFE with KLUEBER STABURAGS NBU 8EP.

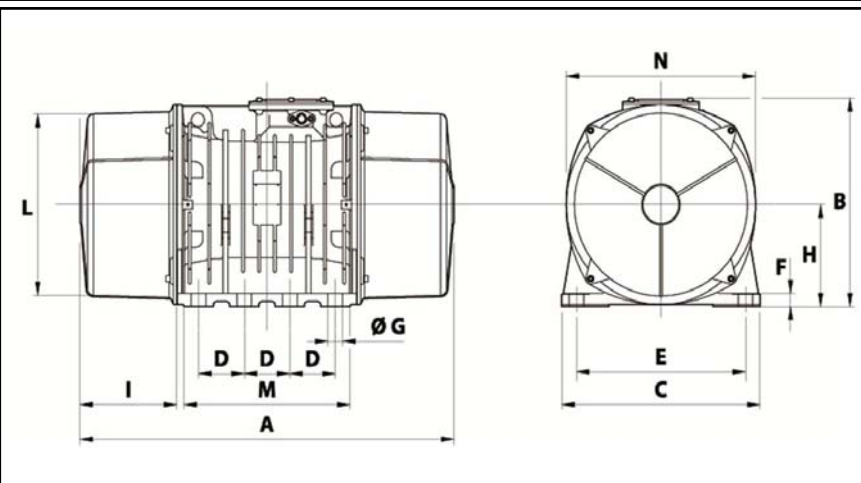
Re lubrication quantity after 1000 hours of using: 220g

Max quantity by replaced bearing: 400g

Fixing with 8 screws M42 - 1 5/8" quality 8.8 with tightening torque (kgm - ft/lb): 290 - 2090

- Thread (pipe thread not supplied): NPT1"

Maintenance space: 297,5 mm



A	1150
B	607
C	610
D	140
E	520
F	38
G	45
N° HOLES	8
H	297
I	297.5
L	542
M	510
N	582

--	--	--	--	--	--