

ACBMV B. CASADIO VIBRATION  
 Z.I. Mi-Plaine  
 51 Rue Ampère  
 B.P. 31  
 69682 CHASSIEU CEDEX (FRANCE)  
 Tel.: 04 78 90 87 87 / Fax.: 04 78 90 87 88  
 Email: [vibrateur@orange.fr](mailto:vibrateur@orange.fr)  
 Internet: [acbmv.com](http://acbmv.com)

6 POLES - 1200 RPM      ATEX II 2D tD A21 IP 66 ZONE 21-22  
 REF.: 602227C              Dust T°=135°C  
 SIZE: 97

Certifications:



### MECHANICAL AND ELECTRICAL SPECIFICATIONS

Eccentric weight setup (%)	Static moment (kgmm)	Working moment (kgcm)	Centrifugal force (kg)	Centrifugal force (kN)	Estimated bearings life time (hours)
100	8158,00	1631,60	13130	129,00	14259
90	7342,20	1468,44	11817	116,10	20259
80	6526,40	1305,28	10504	103,20	30000
70	5710,60	1142,12	9191	90,30	46820
60	4894,80	978,96	7878	77,40	78268
50	4079,00	815,80	6565	64,50	>100000
40	3263,20	652,64	5252	51,60	>100000
30	2447,40	489,48	3939	38,70	>100000
20	1631,60	326,32	2626	25,80	>100000
10	815,80	163,16	1313	12,90	>100000

Power supply (volts)	460
Phases:	three phases
Frequency (Hz)	60 Hz
Rotation speed (RPM)	1200
Max input power (watt)	10000
Max current (amp)	16,00
IS/IR	5,00

### DIMENSIONAL SPECIFICATIONS (mm)

**Vibrator weight: 382,0 kg**

Continual service ambient temperature: -20°C à +40°C - Tropicalization anti-mold - Mechanical protection: IP66 IK08 according to IEC

Bearing type: ROLLER

Lubrication LONG-LIFE with KLUEBER STABURAGS NBU 8EP.

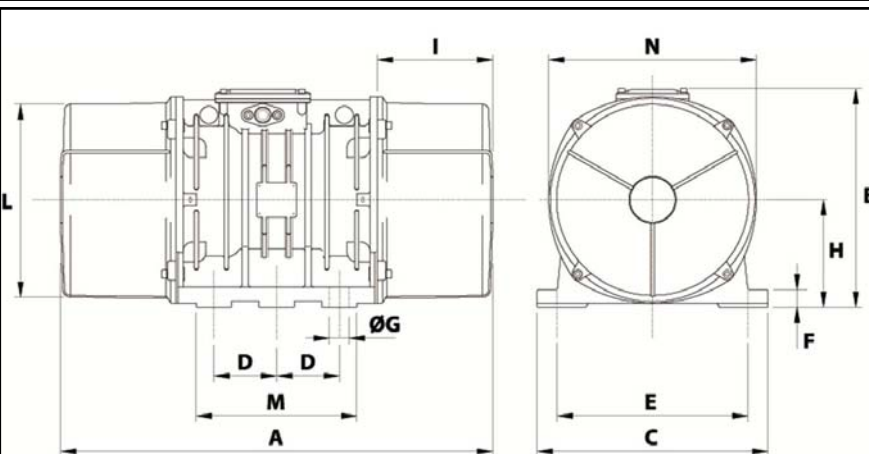
Re lubrication quantity after 1000 hours of using: 130g

Max quantity by replaced bearing: 260g

Fixing with 6 screws M36 - 1 3/8" quality 8.8 with tightening torque (kgm - ft/lb): 190 - 1370

Power supply cable size: 13 à 20 mm - Cable entry thread: M32x1,5

Maintenance space: 300 mm



A	1002
B	437
C	460
D	125
E	380
F	35
G	39
N° HOLES	6
H	215
I	300
L	387
M	320
N	414