

ACBMV B. CASADIO VIBRATION
 Z.I. Mi-Plaine
 51 Rue Ampère
 B.P. 31
 69682 CHASSIEU CEDEX (FRANCE)
 Tel.: 04 78 90 87 87 / Fax.: 04 78 90 87 88
 Email: vibrateur@orange.fr
 Internet: acbmv.com

6 POLES - 1000 RPM ATEX II 2D tD A21 IP 66 ZONE 21-22
 REF.: 602230A Dust T°=135°C
 SIZE: 70

Certifications:



MECHANICAL AND ELECTRICAL SPECIFICATIONS

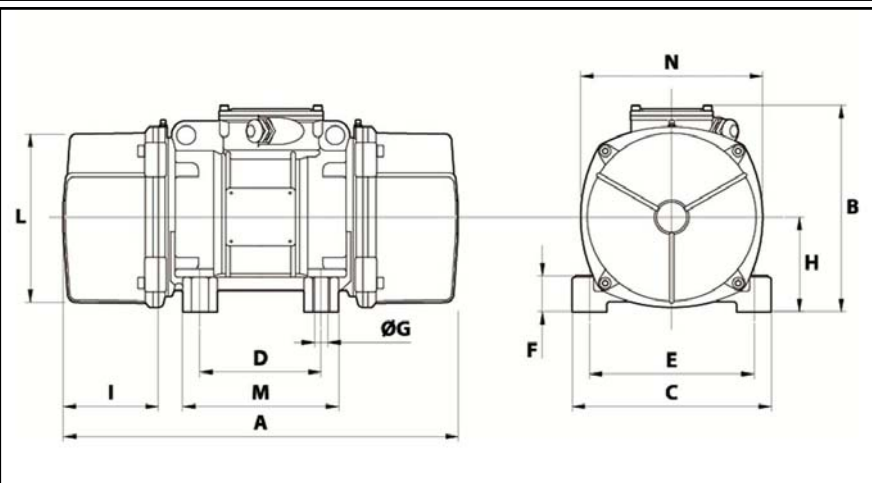
| Eccentric weight setup (%) | Static moment (kgmm) | Working moment (kgcm) | Centrifugal force (kg) | Centrifugal force (kN) | Estimated bearings life time (hours) |
|----------------------------|----------------------|-----------------------|------------------------|------------------------|--------------------------------------|
| 100 | 2690,00 | 538,00 | 3007 | 29,50 | 67918 |
| 90 | 2421,00 | 484,20 | 2706 | 26,55 | 96532 |
| 80 | 2152,00 | 430,40 | 2406 | 23,60 | >100000 |
| 70 | 1883,00 | 376,60 | 2105 | 20,65 | >100000 |
| 60 | 1614,00 | 322,80 | 1804 | 17,70 | >100000 |
| 50 | 1345,00 | 269,00 | 1504 | 14,75 | >100000 |
| 40 | 1076,00 | 215,20 | 1203 | 11,80 | >100000 |
| 30 | 807,00 | 161,40 | 902 | 8,85 | >100000 |
| 20 | 538,00 | 107,60 | 601 | 5,90 | >100000 |
| 10 | 269,00 | 53,80 | 301 | 2,95 | >100000 |

| | |
|------------------------|--------------|
| Power supply (volts) | 400 |
| Phases: | three phases |
| Frequency (Hz) | 50 Hz |
| Rotation speed (RPM) | 1000 |
| Max input power (watt) | 2200 |
| Max current (amp) | 4,50 |
| IS/IR | 4,35 |

DIMENSIONAL SPECIFICATIONS (mm)

Vibrator weight: 145,0 kg

Continual service ambient temperature: -20°C à +40°C - Tropicalization anti-mold - Mechanical protection: IP66 IK08 according to IEC
 Bearing type: ROLLER
 Lubrication LONG-LIFE with KLUEBER STABURAGS NBU 8EP.
 Re lubrication quantity after 1000 hours of using: 18g
 Max quantity by replaced bearing: 32g
 Fixing with 4 screws M22 - 7/8" quality 8.8 with tightening torque (kgm - ft/lb): 56 - 411
 Power supply cable size: 9 à 16 mm - Cable entry thread: M25x1,5
 Maintenance space: 201 mm



| | |
|----------|-----|
| A | 712 |
| B | 321 |
| C | 310 |
| D | 155 |
| E | 255 |
| F | 77 |
| G | 24 |
| N° HOLES | 4 |
| H | 157 |
| I | 201 |
| L | 277 |
| M | 215 |
| N | 295 |

| | | | | | |
|--|--|--|--|--|--|
| | | | | | |
|--|--|--|--|--|--|