

ACBMV B. CASADIO VIBRATION
 Z.I. Mi-Plaine
 51 Rue Ampère
 B.P. 31
 69682 CHASSIEU CEDEX (FRANCE)
 Tel.: 04 78 90 87 87 / Fax.: 04 78 90 87 88
 Email: vibrateur@orange.fr
 Internet: acbmv.com

6 POLES - 1000 RPM ATEX II 2D tD A21 IP 66 ZONE 21-22
 REF.: 602244A Dust T°=135°C
 SIZE: 105

Certifications:



MECHANICAL AND ELECTRICAL SPECIFICATIONS

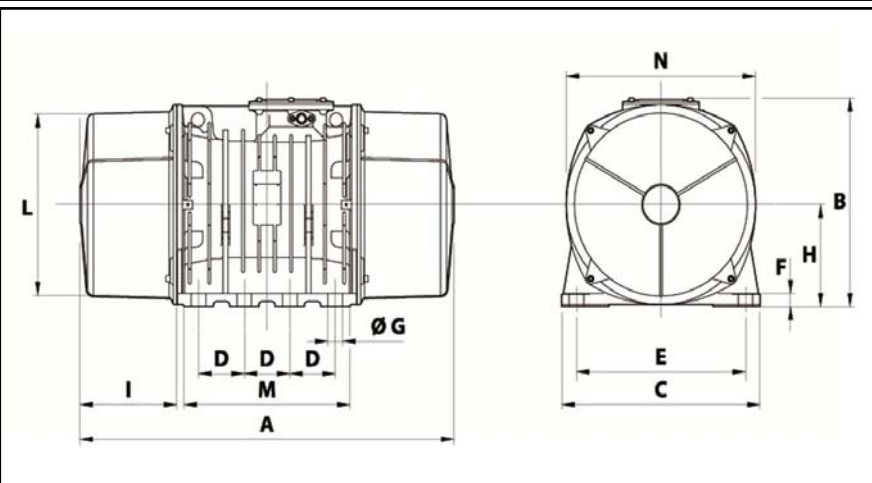
Eccentric weight setup (%)	Static moment (kgmm)	Working moment (kgcm)	Centrifugal force (kg)	Centrifugal force (kN)	Estimated bearings life time (hours)
100	17947,00	3589,40	20062	197,00	11701
90	16152,30	3230,46	18056	177,30	16624
80	14357,60	2871,52	16050	157,60	24616
70	12562,90	2512,58	14043	137,90	38424
60	10768,20	2153,64	12037	118,20	64231
50	8973,50	1794,70	10031	98,50	>100000
40	7178,80	1435,76	8025	78,80	>100000
30	5384,10	1076,82	6019	59,10	>100000
20	3589,40	717,88	4012	39,40	>100000
10	1794,70	358,94	2006	19,70	>100000

Power supply (volts)	400
Phases:	three phases
Frequency (Hz)	50 Hz
Rotation speed (RPM)	1000
Max input power (watt)	14000
Max current (amp)	25,50
IS/IR	5,49

DIMENSIONAL SPECIFICATIONS (mm)

Vibrator weight: 711,0 kg

Continual service ambient temperature: -20°C à +40°C - Tropicalization anti-mold - Mechanical protection: IP66 IK08 according to IEC
 Bearing type: ROLLER
 Lubrication LONG-LIFE with KLUEBER STABURAGS NBU 8EP.
 Re lubrication quantity after 1000 hours of using: 180g
 Max quantity by replaced bearing: 360g
 Fixing with 8 screws M42 - 1 5/8" quality 8.8 with tightening torque (kgm - ft/lb): 290 - 2090
 Power supply cable size: 13 à 20 mm - Cable entry thread: M32x1,5
 Maintenance space: 280 mm



A	1120
B	526
C	570
D	140
E	480
F	41
G	45
N° HOLES	8
H	268
I	280
L	486
M	510
N	516