

ACBMV B. CASADIO VIBRATION
 Z.I. Mi-Plaine
 51 Rue Ampère
 B.P. 31
 69682 CHASSIEU CEDEX (FRANCE)
 Tel.: 04 78 90 87 87 / Fax.: 04 78 90 87 88
 Email: vibrateur@orange.fr
 Internet: acbmv.com

6 POLES - 1200 RPM ATEX II 2D tD A21 IP 66 ZONE 21-22
 REF.: 602244C Dust T°=135°C
 SIZE: 105

Certifications:



MECHANICAL AND ELECTRICAL SPECIFICATIONS

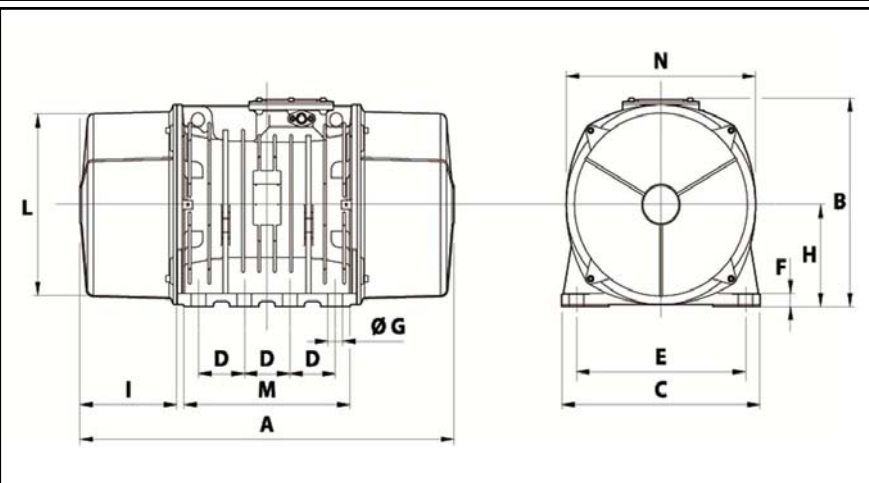
Eccentric weight setup (%)	Static moment (kgmm)	Working moment (kgcm)	Centrifugal force (kg)	Centrifugal force (kN)	Estimated bearings life time (hours)
100	11430,00	2286,00	18400	181,00	0
90	10287,00	2057,40	16560	162,90	0
80	9144,00	1828,80	14720	144,80	0
70	8001,00	1600,20	12880	126,70	0
60	6858,00	1371,60	11040	108,60	0
50	5715,00	1143,00	9200	90,50	0
40	4572,00	914,40	7360	72,40	0
30	3429,00	685,80	5520	54,30	0
20	2286,00	457,20	3680	36,20	0
10	1143,00	228,60	1840	18,10	0

Power supply (volts)	460
Phases:	three phases
Frequency (Hz)	60 Hz
Rotation speed (RPM)	1200
Max input power (watt)	14800
Max current (amp)	24,00
IS/IR	-

DIMENSIONAL SPECIFICATIONS (mm)

Vibrator weight: 661,0 kg

Continual service ambient temperature: -20°C à +40°C - Tropicalization anti-mold - Mechanical protection: IP66 IK08 according to IEC
 Bearing type: ROLLER
 Lubrication LONG-LIFE with KLUEBER STABURAGS NBU 8EP.
 Re lubrication quantity after 1000 hours of using: 180g
 Max quantity by replaced bearing: 360g
 Fixing with 8 screws M42 - 1 5/8" quality 8.8 with tightening torque (kgm - ft/lb): 290 - 2090
 Power supply cable size: 13 à 20 mm - Cable entry thread: M32x1,5
 Maintenance space: 280 mm



A	1120
B	526
C	570
D	140
E	480
F	41
G	45
N° HOLES	8
H	268
I	280
L	486
M	510
N	516