

ACBMV B. CASADIO VIBRATION  
 Z.I. Mi-Plaine  
 51 Rue Ampère  
 B.P. 31  
 69682 CHASSIEU CEDEX (FRANCE)  
 Tel.: 04 78 90 87 87 / Fax.: 04 78 90 87 88  
 Email: [vibrateur@orange.fr](mailto:vibrateur@orange.fr)  
 Internet: [acbmv.com](http://acbmv.com)

6 POLES - 1000 RPM      ATEX II 2D tD A21 IP 66 ZONE 21-22  
 REF.: 602273A              Dust T°=135°C  
 SIZE: 110

Certifications:



### MECHANICAL AND ELECTRICAL SPECIFICATIONS

Eccentric weight setup (%)	Static moment (kgmm)	Working moment (kgcm)	Centrifugal force (kg)	Centrifugal force (kN)	Estimated bearings life time (hours)
100	22364,00	4472,80	25000	245,00	17766
90	20127,60	4025,52	22500	220,50	25241
80	17891,20	3578,24	20000	196,00	37379
70	15654,80	3130,96	17500	171,50	58335
60	13418,40	2683,68	15000	147,00	97518
50	11182,00	2236,40	12500	122,50	>100000
40	8945,60	1789,12	10000	98,00	>100000
30	6709,20	1341,84	7500	73,50	>100000
20	4472,80	894,56	5000	49,00	>100000
10	2236,40	447,28	2500	24,50	>100000

Power supply (volts)	400
Phases:	three phases
Frequency (Hz)	50 Hz
Rotation speed (RPM)	1000
Max input power (watt)	19000
Max current (amp)	33,00
IS/IR	4,67

### DIMENSIONAL SPECIFICATIONS (mm)

**Vibrator weight: 960,0 kg**

Continual service ambient temperature: -20°C à +40°C - Tropicalization anti-mold - Mechanical protection: IP66 IK08 according to IEC

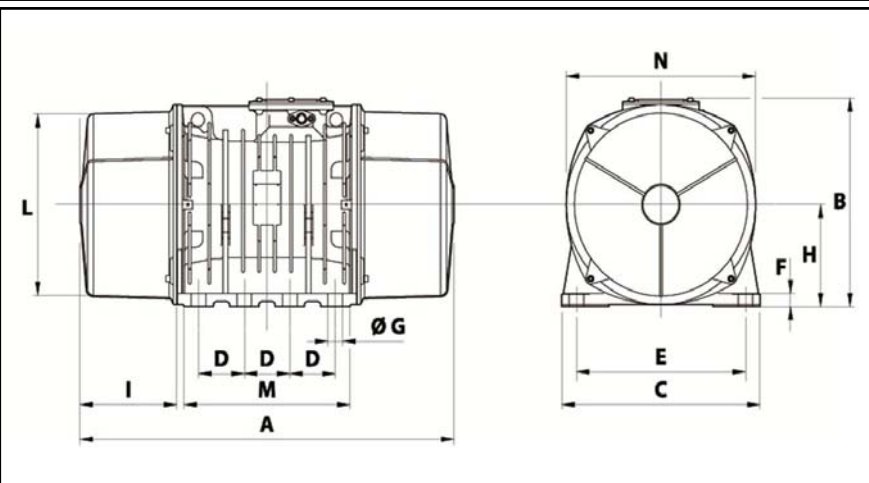
Bearing type: ROLLER

Lubrication LONG-LIFE with KLUEBER STABURAGS NBU 8EP.

Fixing with 8 screws M42 - 1 5/8" quality 8.8 with tightening torque (kgm - ft/lb): 290 - 2090

Power supply cable size: 13 à 20 mm - Cable entry thread: M32x1,5

Maintenance space: 297,5 mm



A	1150
B	607
C	610
D	140
E	520
F	38
G	45
N° HOLES	8
H	297
I	298
L	542
M	510
N	582

--	--	--	--	--	--