

ACBMV B. CASADIO VIBRATION
 Z.I. Mi-Plaine
 51 Rue Ampère
 B.P. 31
 69682 CHASSIEU CEDEX (FRANCE)
 Tel.: 04 78 90 87 87 / Fax.: 04 78 90 87 88
 Email: vibrateur@orange.fr
 Internet: acbmv.com

6 POLES - 1200 RPM ATEX II 2D tD A21 IP 66 ZONE 21-22
 REF.: 602273C Dust T°=135°C
 SIZE: 110

Certifications:



MECHANICAL AND ELECTRICAL SPECIFICATIONS

Eccentric weight setup (%)	Static moment (kgmm)	Working moment (kgcm)	Centrifugal force (kg)	Centrifugal force (kN)	Estimated bearings life time (hours)
100	14785,00	2957,00	23800	233,00	0
90	13306,50	2661,30	21420	209,70	0
80	11828,00	2365,60	19040	186,40	0
70	10349,50	2069,90	16660	163,10	0
60	8871,00	1774,20	14280	139,80	0
50	7392,50	1478,50	11900	116,50	0
40	5914,00	1182,80	9520	93,20	0
30	4435,50	887,10	7140	69,90	0
20	2957,00	591,40	4760	46,60	0
10	1478,50	295,70	2380	23,30	0

Power supply (volts)	460
Phases:	three phases
Frequency (Hz)	60 Hz
Rotation speed (RPM)	1200
Max input power (watt)	19000
Max current (amp)	25,50
IS/IR	-

DIMENSIONAL SPECIFICATIONS (mm)

Vibrator weight: 928,0 kg

Continual service ambient temperature: -20°C à +40°C - Tropicalization anti-mold - Mechanical protection: IP66 IK08 according to IEC

Bearing type: ROLLER

Lubrication LONG-LIFE with KLUEBER STABURAGS NBU 8EP.

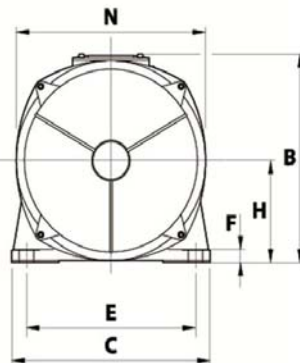
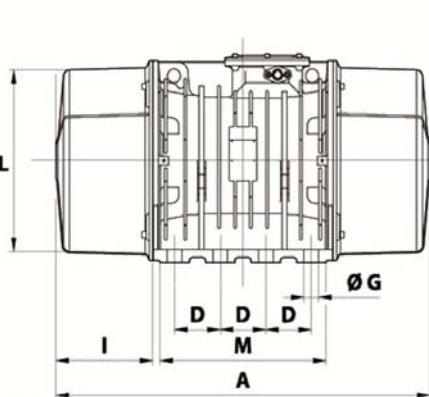
0

0

Fixing with 8 screws M42 - 1 5/8" quality 8.8 with tightening torque (kgm - ft/lb): 290 - 2090

Power supply cable size: 13 à 20 mm - Cable entry thread: M32x1,5

Maintenance space: 297,5 mm



A	1150
B	607
C	610
D	140
E	520
F	38
G	45
N° HOLES	8
H	297
I	298
L	542
M	510
N	582