

ACBMV B. CASADIO VIBRATION
 Z.I. Mi-Plaine
 51 Rue Ampère
 B.P. 31
 69682 CHASSIEU CEDEX (FRANCE)
 Tel.: 04 78 90 87 87 / Fax.: 04 78 90 87 88
 Email: vibrateur@orange.fr
 Internet: acbmv.com

6 POLES - 1000 RPM
 REF.: 602274A
 SIZE: 50

Certifications:



MECHANICAL AND ELECTRICAL SPECIFICATIONS

Eccentric weight setup (%)	Static moment (kgmm)	Working moment (kgcm)	Centrifugal force (kg)	Centrifugal force (kN)	Estimated bearings life time (hours)
100	1012	202,40	1132	11,10	54020
90	910,80	182,16	1019	9,99	76700
80	809,60	161,92	906	8,88	>100000
70	708,40	141,68	792	7,77	>100000
60	607,20	121,44	679	6,66	>100000
50	506,00	101,20	566	5,55	>100000
40	404,80	80,96	453	4,44	>100000
30	303,60	60,72	340	3,33	>100000
20	202,40	40,48	226	2,22	>100000
10	101,20	20,24	113	1,11	>100000

Power supply (volts)	400
Phases:	three phases
Frequency (Hz)	50 Hz
Rotation speed (RPM)	1000
Max input power (watt)	Input: 700 Rating: 483
Max current (amp)	1,52
IS/IR	4,15

DIMENSIONAL SPECIFICATIONS (mm)

Vibrator weight: 79 kg

Continual service ambient temperature: -20°C à +40°C - Tropicalization anti-mold - Mechanical protection: IP66 IK08 according to IEC

Bearing type: ROLLER

Lubrication LONG-LIFE with KLUEBER STABURAGS NBU 8EP.

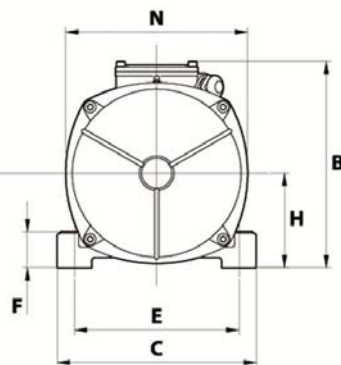
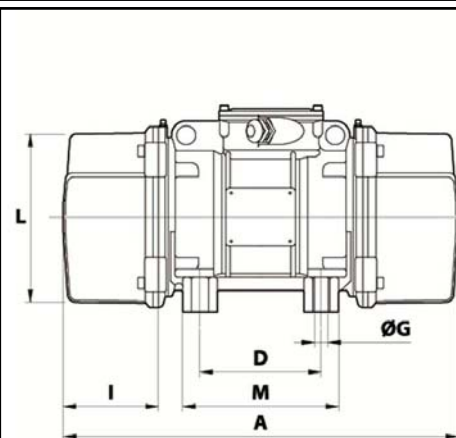
Re lubrication quantity after 1000 hours of using: 16g

Max quantity by replaced bearing: 30g

Fixing with 4 screws M20 - 13/16" quality 8.8 with tightening torque (kgm - ft/lb): 38 - 275

- Thread (pipe thread not supplied): NPT3/4"

Maintenance space: 171 (50Hz) 134 (60Hz) mm



A	594
B	278,5
C	235
D	140
E	190
F	65
G	22
N° HOLES	4
H	116
I	171
L	210
M	185
N	225