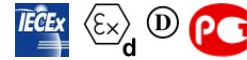


ACBMV B. CASADIO VIBRATION
 Z.I. Mi-Plaine
 51 Rue Ampère
 B.P. 31
 69682 CHASSIEU CEDEX (FRANCE)
 Tel.: 04 78 90 87 87 / Fax.: 04 78 90 87 88
 Email: vibrateur@orange.fr
 Internet: acbm.com

6 POLES - 1000 RPM
 REF.: 602277A
 SIZE: 60

Certifications:



MECHANICAL AND ELECTRICAL SPECIFICATIONS

Eccentric weight setup (%)	Static moment (kgmm)	Working moment (kgcm)	Centrifugal force (kg)	Centrifugal force (kN)	Estimated bearings life time (hours)
100	1464	292,80	1638	16,10	29165
90	1317,60	263,52	1474	14,49	41456
80	1171,20	234,24	1310	12,88	61424
70	1024,80	204,96	1147	11,27	95653
60	878,40	175,68	983	9,66	>100000
50	732,00	146,40	819	8,05	>100000
40	585,60	117,12	655	6,44	>100000
30	439,20	87,84	491	4,83	>100000
20	292,80	58,56	328	3,22	>100000
10	146,40	29,28	164	1,61	>100000

Power supply (volts)	400
Phases:	three phases
Frequency (Hz)	50 Hz
Rotation speed (RPM)	1000
Max input power (watt)	Input: 1040 Rating: 738
Max current (amp)	2,09
IS/IR	4,93

DIMENSIONAL SPECIFICATIONS (mm)

Vibrator weight: 109 kg

Continual service ambient temperature: -20°C à +40°C - Tropicalization anti-mold - Mechanical protection: IP66 IK08 according to IEC

Bearing type: ROLLER

Lubrication LONG-LIFE with KLUEBER STABURAGS NBU 8EP.

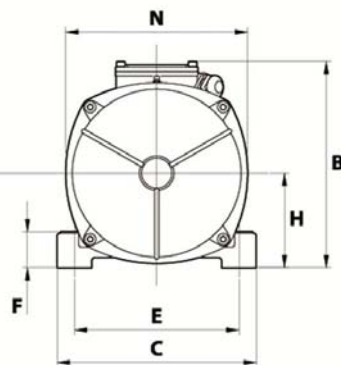
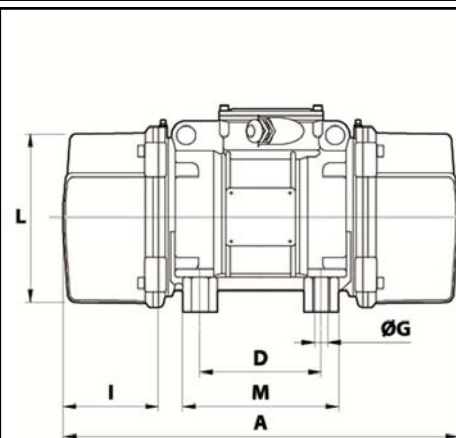
Re lubrication quantity after 1000 hours of using: 16g

Max quantity by replaced bearing: 30g

Fixing with 4 screws M20 - 13/16" quality 8.8 with tightening torque (kgm - ft/lb): 38 - 275

- Thread (pipe thread not supplied): NPT3/4"

Maintenance space: 177 (50Hz) 146 (60Hz) mm



A	634
B	312
C	270
D	155
E	225
F	52
G	22
N° HOLES	4
H	135
I	177
L	238,5
M	200
N	253
