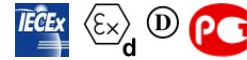


ACBMV B. CASADIO VIBRATION  
 Z.I. Mi-Plaine  
 51 Rue Ampère  
 B.P. 31  
 69682 CHASSIEU CEDEX (FRANCE)  
 Tel.: 04 78 90 87 87 / Fax.: 04 78 90 87 88  
 Email: [vibrateur@orange.fr](mailto:vibrateur@orange.fr)  
 Internet: [acbmv.com](http://acbmv.com)

6 POLES - 1200 RPM  
 REF.: 602277C  
 SIZE: 60

Certifications:



### MECHANICAL AND ELECTRICAL SPECIFICATIONS

Eccentric weight setup (%)	Static moment (kgmm)	Working moment (kgcm)	Centrifugal force (kg)	Centrifugal force (kN)	Estimated bearings life time (hours)
100	962	192,40	1549	15,20	29270
90	865,80	173,16	1394	13,68	41596
80	769,60	153,92	1239	12,16	61615
70	673,40	134,68	1084	10,64	96197
60	577,20	115,44	929	9,12	>100000
50	481,00	96,20	775	7,60	>100000
40	384,80	76,96	620	6,08	>100000
30	288,60	57,72	465	4,56	>100000
20	192,40	38,48	310	3,04	>100000
10	96,20	19,24	155	1,52	>100000

Power supply (volts)	460
Phases:	three phases
Frequency (Hz)	60 Hz
Rotation speed (RPM)	1200
Max input power (watt)	Input: 1250 Rating: 913
Max current (amp)	2,1
IS/IR	5,24

### DIMENSIONAL SPECIFICATIONS (mm)

**Vibrator weight: 98 kg**

Continual service ambient temperature: -20°C à +40°C - Tropicalization anti-mold - Mechanical protection: IP66 IK08 according to IEC

Bearing type: ROLLER

Lubrication LONG-LIFE with KLUEBER STABURAGS NBU 8EP.

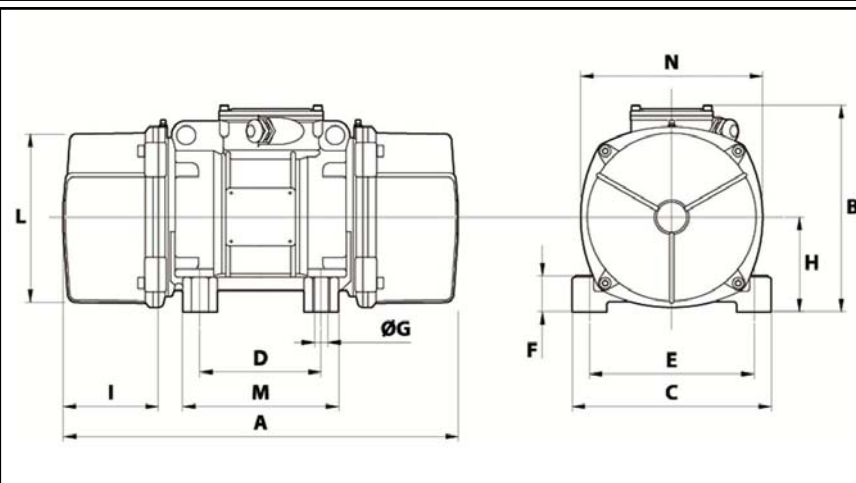
Re lubrication quantity after 1000 hours of using: 16g

Max quantity by replaced bearing: 30g

Fixing with 4 screws M20 - 13/16" quality 8.8 with tightening torque (kgm - ft/lb): 38 - 275

- Thread (pipe thread not supplied): NPT3/4"

Maintenance space: 177 (50Hz) 146 (60Hz) mm



A	572
B	312
C	270
D	155
E	225
F	52
G	22
N° HOLES	4
H	135
I	146
L	238,5
M	200
N	253

--	--	--	--	--	--