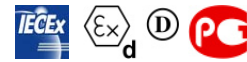


ACBMV B. CASADIO VIBRATION  
 Z.I. Mi-Plaine  
 51 Rue Ampère  
 B.P. 31  
 69682 CHASSIEU CEDEX (FRANCE)  
 Tel.: 04 78 90 87 87 / Fax.: 04 78 90 87 88  
 Email: [vibrateur@orange.fr](mailto:vibrateur@orange.fr)  
 Internet: [acbm.com](http://acbm.com)

6 POLES - 1000 RPM  
 REF.: 602280A  
 SIZE: 70

Certifications:



### MECHANICAL AND ELECTRICAL SPECIFICATIONS

Eccentric weight setup (%)	Static moment (kgmm)	Working moment (kgcm)	Centrifugal force (kg)	Centrifugal force (kN)	Estimated bearings life time (hours)
100	2326	465,20	2601	25,50	17701
90	2093,40	418,68	2341	22,95	25146
80	1860,80	372,16	2081	20,40	37230
70	1628,20	325,64	1821	17,85	58090
60	1395,60	279,12	1561	15,30	97078
50	1163,00	232,60	1301	12,75	>100000
40	930,40	186,08	1040	10,20	>100000
30	697,80	139,56	780	7,65	>100000
20	465,20	93,04	520	5,10	>100000
10	232,60	46,52	260	2,55	>100000

Power supply (volts)	400
Phases:	three phases
Frequency (Hz)	50 Hz
Rotation speed (RPM)	1000
Max input power (watt)	Input: 1725 Rating: 1470
Max current (amp)	3,8
IS/IR	5,4

### DIMENSIONAL SPECIFICATIONS (mm)

**Vibrator weight: 144 kg**

Continual service ambient temperature: -20°C à +40°C - Tropicalization anti-mold - Mechanical protection: IP66 IK08 according to IEC

Bearing type: ROLLER

Lubrication LONG-LIFE with KLUEBER STABURAGS NBU 8EP.

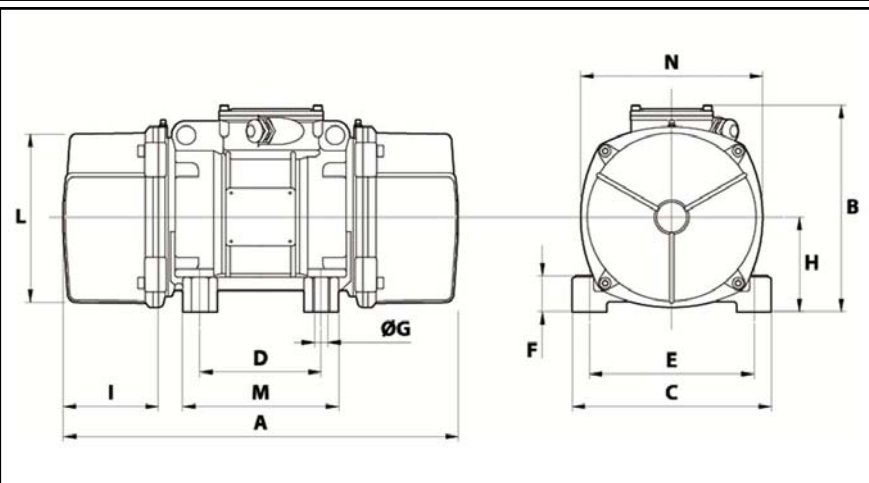
Re lubrication quantity after 1000 hours of using: 18g

Max quantity by replaced bearing: 32g

Fixing with 4 screws M22 - 7/8" quality 8.8 with tightening torque (kgm - ft/lb): 56 - 411

- Thread (pipe thread not supplied): NPT3/4"

Maintenance space: 178 mm



A	676
B	342,5
C	310
D	155
E	255
F	65
G	23,5
N° HOLES	4
H	155
I	178
L	279
M	210
N	295
