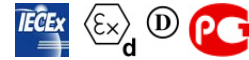


ACBMV B. CASADIO VIBRATION  
 Z.I. Mi-Plaine  
 51 Rue Ampère  
 B.P. 31  
 69682 CHASSIEU CEDEX (FRANCE)  
 Tel.: 04 78 90 87 87 / Fax.: 04 78 90 87 88  
 Email: [vibrateur@orange.fr](mailto:vibrateur@orange.fr)  
 Internet: [acbm.com](http://acbm.com)

6 POLES - 1200 RPM  
 REF.: 602280C  
 SIZE: 70

Certifications:



### MECHANICAL AND ELECTRICAL SPECIFICATIONS

Eccentric weight setup (%)	Static moment (kgmm)	Working moment (kgcm)	Centrifugal force (kg)	Centrifugal force (kN)	Estimated bearings life time (hours)
100	1706	341,20	2747	26,90	12292
90	1535,40	307,08	2472	24,21	17471
80	1364,80	272,96	2198	21,52	25846
70	1194,20	238,84	1923	18,83	40354
60	1023,60	204,72	1648	16,14	67498
50	853,00	170,60	1374	13,45	>100000
40	682,40	136,48	1099	10,76	>100000
30	511,80	102,36	824	8,07	>100000
20	341,20	68,24	549	5,38	>100000
10	170,60	34,12	275	2,69	>100000

Power supply (volts)	460
Phases:	three phases
Frequency (Hz)	60 Hz
Rotation speed (RPM)	1200
Max input power (watt)	Input: 1800 Rating: 1470
Max current (amp)	3,7
IS/IR	6,03

### DIMENSIONAL SPECIFICATIONS (mm)

**Vibrator weight: 130 kg**

Continual service ambient temperature: -20°C à +40°C - Tropicalization anti-mold - Mechanical protection: IP66 IK08 according to IEC

Bearing type: ROLLER

Lubrication LONG-LIFE with KLUEBER STABURAGS NBU 8EP.

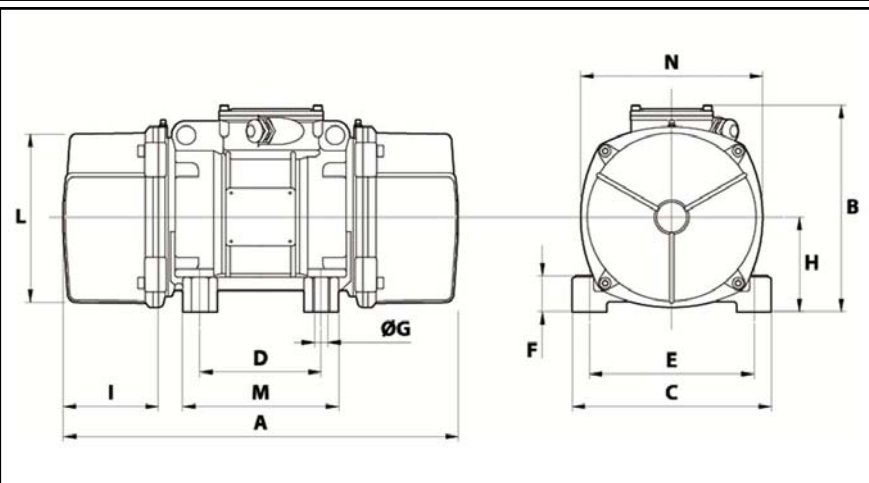
Re lubrication quantity after 1000 hours of using: 18g

Max quantity by replaced bearing: 32g

Fixing with 4 screws M22 - 7/8" quality 8.8 with tightening torque (kgm - ft/lb): 56 - 411

- Thread (pipe thread not supplied): NPT3/4"

Maintenance space: 178 mm



A	676
B	342,5
C	310
D	155
E	255
F	65
G	23,5
N° HOLES	4
H	155
I	178
L	279
M	210
N	295
