

ACBMV B. CASADIO VIBRATION
 Z.I. Mi-Plaine
 51 Rue Ampère
 B.P. 31
 69682 CHASSIEU CEDEX (FRANCE)
 Tel.: 04 78 90 87 87 / Fax.: 04 78 90 87 88
 Email: vibrateur@orange.fr
 Internet: acbm.com

6 POLES - 1200 RPM ATEX II 2D tD A21 IP 66 ZONE 21-22
 REF.: 602296C Dust T°=120°C
 SIZE: 10

Certifications:



MECHANICAL AND ELECTRICAL SPECIFICATIONS

Eccentric weight setup (%)	Static moment (kgmm)	Working moment (kgcm)	Centrifugal force (kg)	Centrifugal force (kN)	Estimated bearings life time (hours)
100	30,10	6,02	49	0,48	>100000
90	27,09	5,42	44	0,43	>100000
80	24,08	4,82	39	0,38	>100000
70	21,07	4,21	34	0,34	>100000
60	18,06	3,61	29	0,29	>100000
50	15,05	3,01	25	0,24	>100000
40	12,04	2,41	20	0,19	>100000
30	9,03	1,81	15	0,14	>100000
20	6,02	1,20	10	0,10	>100000
10	3,01	0,60	5	0,05	>100000

Power supply (volts)	460
Phases:	three phases
Frequency (Hz)	60 Hz
Rotation speed (RPM)	1200
Max input power (watt)	135
Max current (amp)	0,30
IS/IR	2,07

DIMENSIONAL SPECIFICATIONS (mm)

Vibrator weight: 9,7 kg

Continual service ambient temperature: -20°C à +40°C - Tropicalization anti-mold - Mechanical protection: IP66 IK08 according to IEC

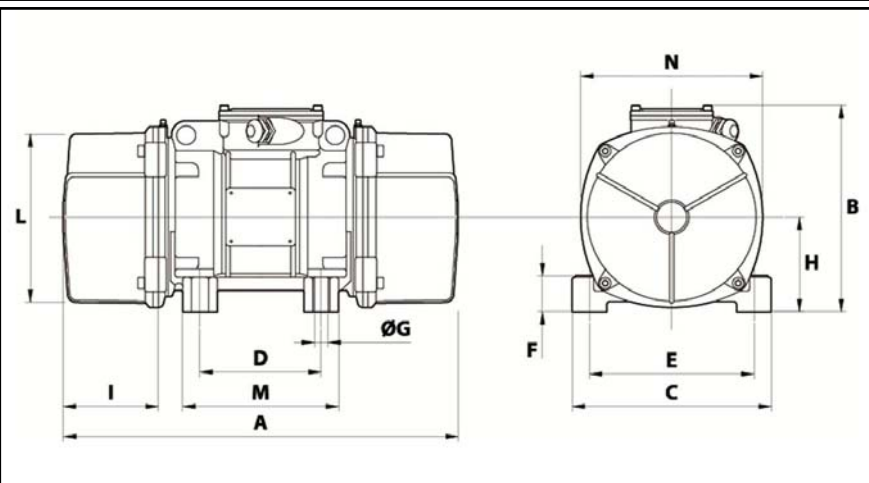
Bearing type: BALL

Lubrication "FOR LIFE" with double protection screen

Fixing with 4 screws M12 - 1/2" quality 8.8 with tightening torque (kgm - ft/lb): 8 - 58

Power supply cable size: 6.5 à 12 mm - Cable entry thread: M20x1,5

Maintenance space: 54 mm



A	255
B	179
C	152
D	90
E	125
F	28
G	13
N° HOLES	4
H	73
I	54
L	127
M	128
N	141