

ACBMV B. CASADIO VIBRATION
 Z.I. Mi-Plaine
 51 Rue Ampère
 B.P. 31
 69682 CHASSIEU CEDEX (FRANCE)
 Tel.: 04 78 90 87 87 / Fax.: 04 78 90 87 88
 Email: vibrateur@orange.fr
 Internet: acbmv.com

6 POLES - 1200 RPM ATEX II 2D tD A21 IP 66 ZONE 21-22
 REF.: 602298C Dust T°=120°C
 SIZE: 20

Certifications:



MECHANICAL AND ELECTRICAL SPECIFICATIONS

Eccentric weight setup (%)	Static moment (kgmm)	Working moment (kgcm)	Centrifugal force (kg)	Centrifugal force (kN)	Estimated bearings life time (hours)
100	163,00	32,60	264	2,59	75647
90	146,70	29,34	238	2,33	>100000
80	130,40	26,08	211	2,07	>100000
70	114,10	22,82	185	1,81	>100000
60	97,80	19,56	158	1,55	>100000
50	81,50	16,30	132	1,30	>100000
40	65,20	13,04	106	1,04	>100000
30	48,90	9,78	79	0,78	>100000
20	32,60	6,52	53	0,52	>100000
10	16,30	3,26	26	0,26	>100000

Power supply (volts)	460
Phases:	three phases
Frequency (Hz)	60 Hz
Rotation speed (RPM)	1200
Max input power (watt)	205
Max current (amp)	0,50
IS/IR	3,10

DIMENSIONAL SPECIFICATIONS (mm)

Vibrator weight: 19,0 kg

Continual service ambient temperature: -20°C à +40°C - Tropicalization anti-mold - Mechanical protection: IP66 IK08 according to IEC

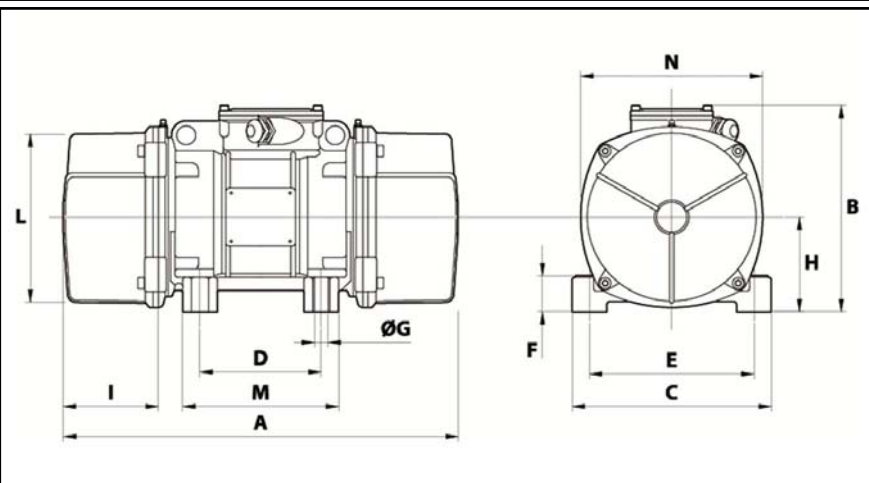
Bearing type: BALL

Lubrication "FOR LIFE" with double protection screen

Fixing with 4 screws M12 - 1/2" quality 8.8 with tightening torque (kgm - ft/lb): 8 - 58

Power supply cable size: 9 à 16 mm - Cable entry thread: M25x1,5

Maintenance space: 93 mm



A	344
B	203
C	167
D	105
E	140
F	30
G	13
N° HOLES	4
H	83
I	93
L	145
M	140
N	160