

ACBMV B. CASADIO VIBRATION
 Z.I. Mi-Plaine
 51 Rue Ampère
 B.P. 31
 69682 CHASSIEU CEDEX (FRANCE)
 Tel.: 04 78 90 87 87 / Fax.: 04 78 90 87 88
 Email: vibrateur@orange.fr
 Internet: acbmv.com

6 POLES - 1200 RPM
 REF.: 602313C
 SIZE: 110

Certifications:



MECHANICAL AND ELECTRICAL SPECIFICATIONS

Eccentric weight setup (%)	Static moment (kgmm)	Working moment (kgcm)	Centrifugal force (kg)	Centrifugal force (kN)	Estimated bearings life time (hours)
100	14785	2957,00	23800	233,00	
90	13306,50	2661,30	21420	209,70	
80	11828,00	2365,60	19040	186,40	
70	10349,50	2069,90	16660	163,10	
60	8871,00	1774,20	14280	139,80	
50	7392,50	1478,50	11900	116,50	
40	5914,00	1182,80	9520	93,20	
30	4435,50	887,10	7140	69,90	
20	2957,00	591,40	4760	46,60	
10	1478,50	295,70	2380	23,30	

Power supply (volts)	460
Phases:	three phases
Frequency (Hz)	60 Hz
Rotation speed (RPM)	1200
Max input power (watt)	19000
Max current (amp)	25,5
IS/IR	5,88

DIMENSIONAL SPECIFICATIONS (mm)

Vibrator weight: 938 kg

Service continu temperature ambiante: -20°C à +40°C - Tropicalisation anti-moisissure - Protection mécanique: IP55 IK08 sec. IEC

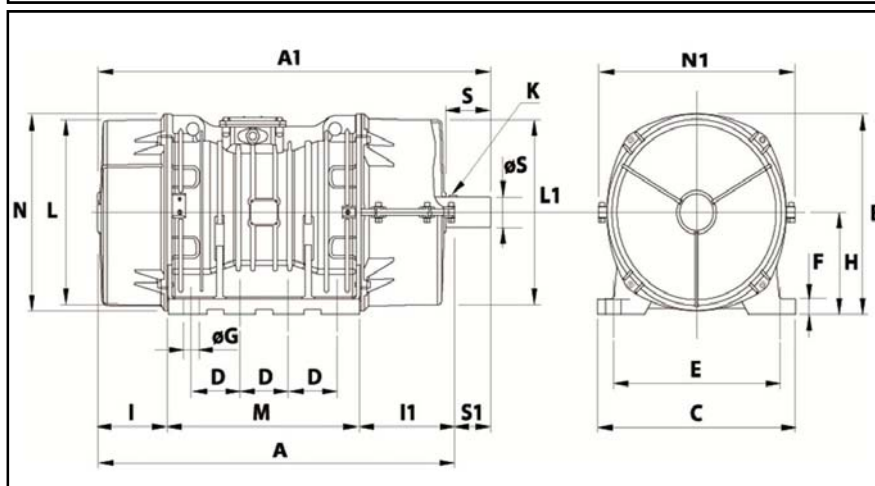
Bearing type: ROLLER

Lubrication LONG-LIFE with KLUEBER STABURAGS NBU 8EP.

Fixing with 8 screws M42 - 1 5/8" quality 8.8 with tightening torque (kgm - ft/lb): 290 - 2090

Power supply cable size: 13 à 20 mm - Cable entry thread: M32x1,5

Maintenance space: 322,5 mm



A	1175
B	607
C	610
D	140
E	520
F	38
G	45
N° HOLES	8
H	297
I	297,5
I1	322,5
N1	616
L	542
M	510
N	582

A1	L1	ØS	S	0	0
1270	546	105	126,5	95	0