

ACBMV B. CASADIO VIBRATION
 Z.I. Mi-Plaine
 51 Rue Ampère
 B.P. 31
 69682 CHASSIEU CEDEX (FRANCE)
 Tel.: 04 78 90 87 87 / Fax.: 04 78 90 87 88
 Email: vibrateur@orange.fr
 Internet: acbmv.com

6 POLES - 1000 RPM
 REF.: 602315A
 SIZE: 10

Certifications:



MECHANICAL AND ELECTRICAL SPECIFICATIONS

Eccentric weight setup (%)	Static moment (kgmm)	Working moment (kgcm)	Centrifugal force (kg)	Centrifugal force (kN)	Estimated bearings life time (hours)
100	30,1	6,02	35	0,33	>100000
90	27,09	5,42	32	0,30	>100000
80	24,08	4,82	28	0,26	>100000
70	21,07	4,21	25	0,23	>100000
60	18,06	3,61	21	0,20	>100000
50	15,05	3,01	18	0,17	>100000
40	12,04	2,41	14	0,13	>100000
30	9,03	1,81	11	0,10	>100000
20	6,02	1,20	7	0,07	>100000
10	3,01	0,60	4	0,03	>100000

Power supply (volts)	400
Phases:	three phases
Frequency (Hz)	50 Hz
Rotation speed (RPM)	1000
Max input power (watt)	Input: 120 Rating: 50
Max current (amp)	0,3
IS/IR	1,9

DIMENSIONAL SPECIFICATIONS (mm)

Vibrator weight: 11,5 kg

Continual service ambient temperature: -20°C à +40°C - Tropicalization anti-mold - Mechanical protection: IP66 IK08 according to IEC

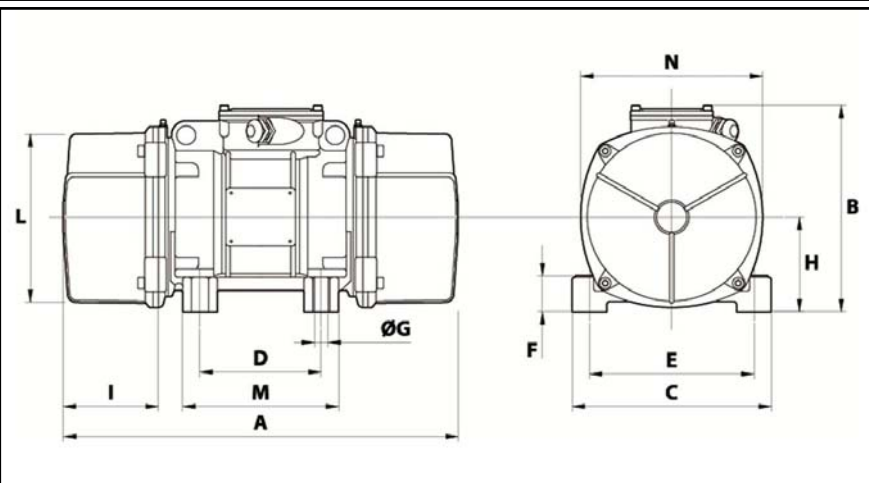
Bearing type: BALL

Lubrication "FOR LIFE" with double protection screen

Fixing with 4 screws M12 - 1/2" quality 8.8 with tightening torque (kgm - ft/lb): 8 - 58

- Thread (pipe thread not supplied): NPT1/2"

Maintenance space: 54 mm



A	255
B	191
C	152
D	90
E	125
F	28
G	13
N° HOLES	4
H	77,5
I	54
L	130
M	128
N	150