

ACBMV B. CASADIO VIBRATION
 Z.I. Mi-Plaine
 51 Rue Ampère
 B.P. 31
 69682 CHASSIEU CEDEX (FRANCE)
 Tel.: 04 78 90 87 87 / Fax.: 04 78 90 87 88
 Email: vibrateur@orange.fr
 Internet: acbmv.com

6 POLES - 1200 RPM
 REF.: 602316C
 SIZE: 10

Certifications:



MECHANICAL AND ELECTRICAL SPECIFICATIONS

| Eccentric weight setup (%) | Static moment (kgmm) | Working moment (kgcm) | Centrifugal force (kg) | Centrifugal force (kN) | Estimated bearings life time (hours) |
|----------------------------|----------------------|-----------------------|------------------------|------------------------|--------------------------------------|
| 100 | 84,2 | 16,84 | 136 | 1,33 | >100000 |
| 90 | 75,78 | 15,16 | 122 | 1,20 | >100000 |
| 80 | 67,36 | 13,47 | 109 | 1,06 | >100000 |
| 70 | 58,94 | 11,79 | 95 | 0,93 | >100000 |
| 60 | 50,52 | 10,10 | 82 | 0,80 | >100000 |
| 50 | 42,10 | 8,42 | 68 | 0,67 | >100000 |
| 40 | 33,68 | 6,74 | 54 | 0,53 | >100000 |
| 30 | 25,26 | 5,05 | 41 | 0,40 | >100000 |
| 20 | 16,84 | 3,37 | 27 | 0,27 | >100000 |
| 10 | 8,42 | 1,68 | 14 | 0,13 | >100000 |

| | |
|------------------------|--------------------------------|
| Power supply (volts) | 460 |
| Phases: | three phases |
| Frequency (Hz) | 60 Hz |
| Rotation speed (RPM) | 1200 |
| Max input power (watt) | Input: 135 Rating: 90 |
| Max current (amp) | 0,3 |
| IS/IR | 2,07 |

DIMENSIONAL SPECIFICATIONS (mm)

Vibrator weight: 14 kg

Continual service ambient temperature: -20°C à +40°C - Tropicalization anti-mold - Mechanical protection: IP66 IK08 according to IEC

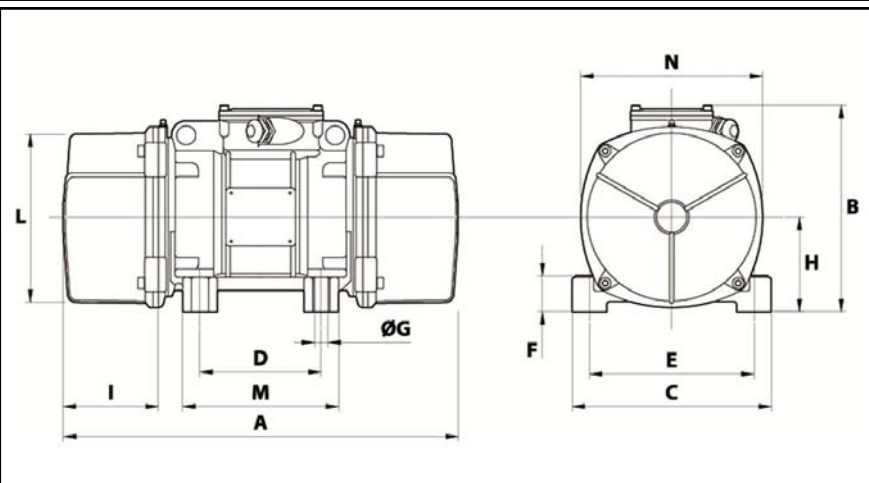
Bearing type: BALL

Lubrication "FOR LIFE" with double protection screen

Fixing with 4 screws M12 - 1/2" quality 8.8 with tightening torque (kgm - ft/lb): 8 - 58

- Thread (pipe thread not supplied): NPT1/2"

Maintenance space: 77 mm



| | |
|----------|------|
| A | 301 |
| B | 191 |
| C | 152 |
| D | 90 |
| E | 125 |
| F | 28 |
| G | 13 |
| N° HOLES | 4 |
| H | 77,5 |
| I | 77 |
| L | 130 |
| M | 128 |
| N | 150 |