

ACBMV B. CASADIO VIBRATION
 Z.I. Mi-Plaine
 51 Rue Ampère
 B.P. 31
 69682 CHASSIEU CEDEX (FRANCE)
 Tel.: 04 78 90 87 87 / Fax.: 04 78 90 87 88
 Email: vibrateur@orange.fr
 Internet: acbmv.com

6 POLES - 1200 RPM
 REF.: 602318C
 SIZE: 30

Certifications:



MECHANICAL AND ELECTRICAL SPECIFICATIONS

Eccentric weight setup (%)	Static moment (kgmm)	Working moment (kgcm)	Centrifugal force (kg)	Centrifugal force (kN)	Estimated bearings life time (hours)
100	209	41,80	338	3,32	>100000
90	188,10	37,62	304	2,99	>100000
80	167,20	33,44	270	2,66	>100000
70	146,30	29,26	237	2,32	>100000
60	125,40	25,08	203	1,99	>100000
50	104,50	20,90	169	1,66	>100000
40	83,60	16,72	135	1,33	>100000
30	62,70	12,54	101	1,00	>100000
20	41,80	8,36	68	0,66	>100000
10	20,90	4,18	34	0,33	>100000

Power supply (volts)	460
Phases:	three phases
Frequency (Hz)	60 Hz
Rotation speed (RPM)	1200
Max input power (watt)	Input: 380 Rating: 270
Max current (amp)	0,68
IS/IR	2,79

DIMENSIONAL SPECIFICATIONS (mm)

Vibrator weight: 29 kg

Continual service ambient temperature: -20°C à +40°C - Tropicalization anti-mold - Mechanical protection: IP66 IK08 according to IEC

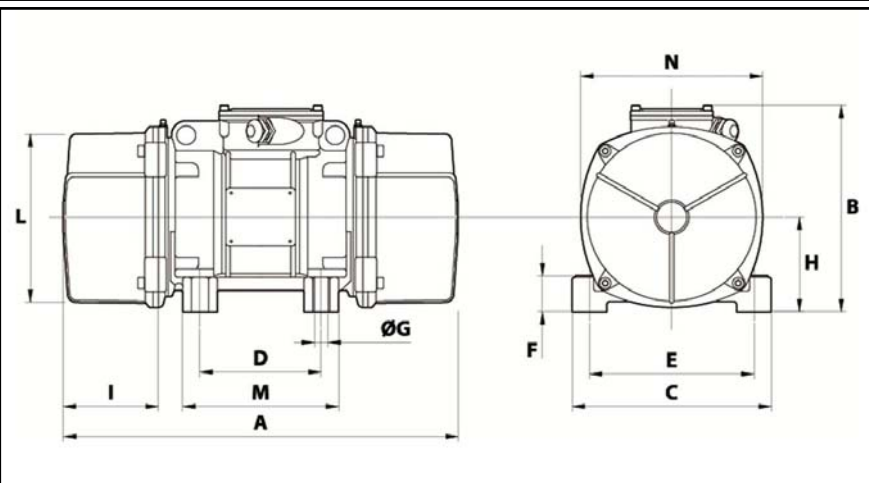
Bearing type: BALL

Lubrication "FOR LIFE" with double protection screen

Fixing with 4 screws M16 - 5/8" quality 8.8 with tightening torque (kgm - ft/lb): 19 - 137

- Thread (pipe thread not supplied): NPT1/2"

Maintenance space: 106 mm



A	394
B	230,5
C	205
D	120
E	170
F	45
G	17
N° HOLES	4
H	102
I	106
L	177
M	162
N	200