

ACBMV B. CASADIO VIBRATION
 Z.I. Mi-Plaine
 51 Rue Ampère
 B.P. 31
 69682 CHASSIEU CEDEX (FRANCE)
 Tel.: 04 78 90 87 87 / Fax.: 04 78 90 87 88
 Email: vibrateur@orange.fr
 Internet: acbmv.com

6 POLES - 1200 RPM
 REF.: 602319C
 SIZE: 110

Certifications:



MECHANICAL AND ELECTRICAL SPECIFICATIONS

Eccentric weight setup (%)	Static moment (kgmm)	Working moment (kgcm)	Centrifugal force (kg)	Centrifugal force (kN)	Estimated bearings life time (hours)
100	12553	2510,60	20208	198,00	15640
90	11297,70	2259,54	18187	178,20	22222
80	10042,40	2008,48	16166	158,40	32908
70	8787,10	1757,42	14146	138,60	51349
60	7531,80	1506,36	12125	118,80	85844
50	6276,50	1255,30	10104	99,00	>100000
40	5021,20	1004,24	8083	79,20	>100000
30	3765,90	753,18	6062	59,40	>100000
20	2510,60	502,12	4042	39,60	>100000
10	1255,30	251,06	2021	19,80	>100000

Power supply (volts)	460
Phases:	three phases
Frequency (Hz)	60 Hz
Rotation speed (RPM)	1200
Max input power (watt)	19000
Max current (amp)	25,5
IS/IR	5,88

DIMENSIONAL SPECIFICATIONS (mm)

Vibrator weight: 903 kg

Service continu temperature ambiente: -20°C à +40°C - Tropicalisation anti-moisissure - Protection mécanique: IP55 IK08 sec. IEC

Bearing type: ROLLER

Lubrication LONG-LIFE with KLUEBER STABURAGS NBU 8EP.

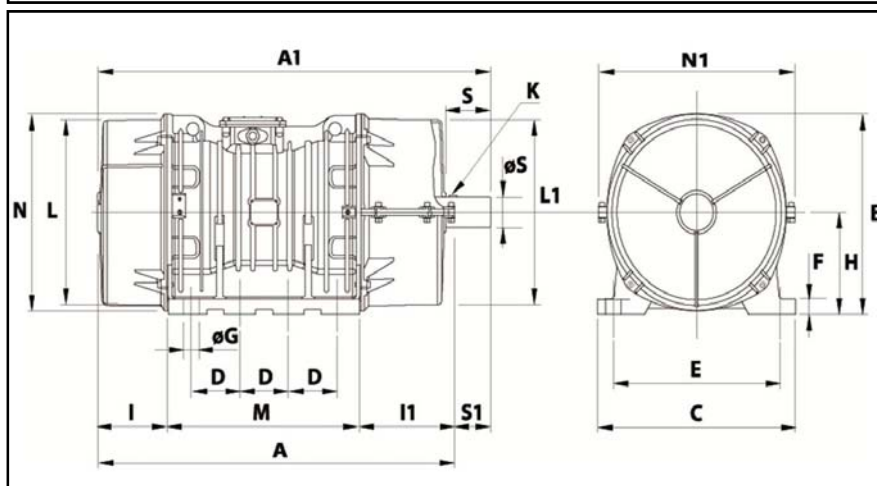
Re lubrication quantity after 1000 hours of using: 220g

Max quantity by replaced bearing: 400g

Fixing with 8 screws M42 - 1 5/8" quality 8.8 with tightening torque (kgm - ft/lb): 290 - 2090

Power supply cable size: 13 à 20 mm - Cable entry thread: M32x1,5

Maintenance space: 322,5 mm



A	1175
B	607
C	610
D	140
E	520
F	38
G	45
N° HOLES	8
H	297
I	297,5
I1	322,5
N1	616
L	542
M	510
N	582

A1	L1	ØS	S	0	0
1234	546	105	90,5	59	0