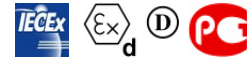


ACBMV B. CASADIO VIBRATION  
 Z.I. Mi-Plaine  
 51 Rue Ampère  
 B.P. 31  
 69682 CHASSIEU CEDEX (FRANCE)  
 Tel.: 04 78 90 87 87 / Fax.: 04 78 90 87 88  
 Email: [vibrateur@orange.fr](mailto:vibrateur@orange.fr)  
 Internet: [acbm.com](http://acbm.com)

6 POLES - 1200 RPM  
 REF.: 602320C  
 SIZE: 35

Certifications:



### MECHANICAL AND ELECTRICAL SPECIFICATIONS

Eccentric weight setup (%)	Static moment (kgmm)	Working moment (kgcm)	Centrifugal force (kg)	Centrifugal force (kN)	Estimated bearings life time (hours)
100	457	91,40	737	7,23	39516
90	411,30	82,26	663	6,51	56228
80	365,60	73,12	590	5,78	82952
70	319,90	63,98	516	5,06	>100000
60	274,20	54,84	442	4,34	>100000
50	228,50	45,70	369	3,62	>100000
40	182,80	36,56	295	2,89	>100000
30	137,10	27,42	221	2,17	>100000
20	91,40	18,28	147	1,45	>100000
10	45,70	9,14	74	0,72	>100000

Power supply (volts)	460
Phases:	three phases
Frequency (Hz)	60 Hz
Rotation speed (RPM)	1200
Max input power (watt)	Input: 310 Rating: 230
Max current (amp)	0,61
IS/IR	3,77

### DIMENSIONAL SPECIFICATIONS (mm)

**Vibrator weight: 47,5 kg**

Continual service ambient temperature: -20°C à +40°C - Tropicalization anti-mold - Mechanical protection: IP66 IK08 according to IEC

Bearing type: ROLLER

Lubrication LONG-LIFE with KLUEBER STABURAGS NBU 8EP.

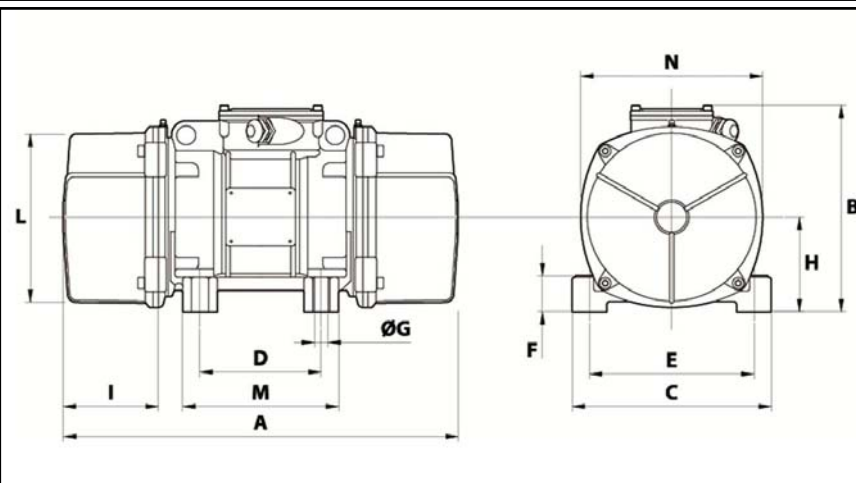
Re lubrication quantity after 1000 hours of using: 7g

Max quantity by replaced bearing: 12g

Fixing with 4 screws M16 - 5/8" quality 8.8 with tightening torque (kgm - ft/lb): 19 - 137

- Thread (pipe thread not supplied): NPT3/4"

Maintenance space: 118 mm



A	446
B	248,5
C	210
D	120
E	170
F	52
G	17
N° HOLES	4
H	112
I	118
L	192
M	160
N	218