

ACBMV B. CASADIO VIBRATION  
 Z.I. Mi-Plaine  
 51 Rue Ampère  
 B.P. 31  
 69682 CHASSIEU CEDEX (FRANCE)  
 Tel.: 04 78 90 87 87 / Fax.: 04 78 90 87 88  
 Email: [vibrateur@orange.fr](mailto:vibrateur@orange.fr)  
 Internet: [acbm.com](http://acbm.com)

6 POLES - 1000 RPM  
 REF.: 602325A  
 SIZE: 40

Certifications:



### MECHANICAL AND ELECTRICAL SPECIFICATIONS

Eccentric weight setup (%)	Static moment (kgmm)	Working moment (kgcm)	Centrifugal force (kg)	Centrifugal force (kN)	Estimated bearings life time (hours)
100	723	144,60	809	7,94	>100000
90	650,70	130,14	728	7,15	>100000
80	578,40	115,68	647	6,35	>100000
70	506,10	101,22	566	5,56	>100000
60	433,80	86,76	485	4,76	>100000
50	361,50	72,30	405	3,97	>100000
40	289,20	57,84	324	3,18	>100000
30	216,90	43,38	243	2,38	>100000
20	144,60	28,92	162	1,59	>100000
10	72,30	14,46	81	0,79	>100000

Power supply (volts)	400
Phases:	three phases
Frequency (Hz)	50 Hz
Rotation speed (RPM)	1000
Max input power (watt)	Input: 570 Rating: 370
Max current (amp)	1,24
IS/IR	4

### DIMENSIONAL SPECIFICATIONS (mm)

**Vibrator weight: 70,7 kg**

Continual service ambient temperature: -20°C à +40°C - Tropicalization anti-mold - Mechanical protection: IP66 IK08 according to IEC

Bearing type: ROLLER

Lubrication LONG-LIFE with KLUEBER STABURAGS NBU 8EP.

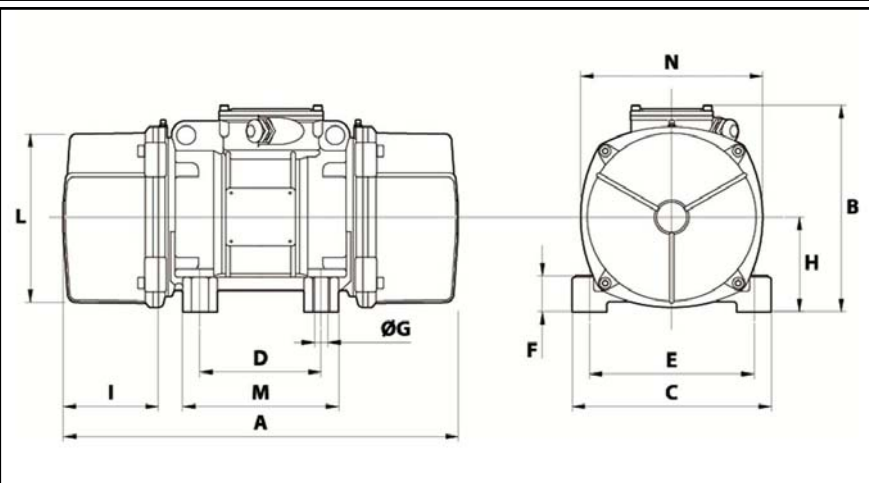
Re lubrication quantity after 1000 hours of using: 16g

Max quantity by replaced bearing: 30g

Fixing with 4 screws M16 - 5/8" quality 8.8 with tightening torque (kgm - ft/lb): 19 - 137

- Thread (pipe thread not supplied): NPT3/4"

Maintenance space: 134 (50Hz) 108 (60Hz) mm



A	520
B	278,5
C	235
D	140
E	190
F	65
G	17
N° HOLES	4
H	116
I	134
L	210
M	185
N	225