

ACBMV B. CASADIO VIBRATION
 Z.I. Mi-Plaine
 51 Rue Ampère
 B.P. 31
 69682 CHASSIEU CEDEX (FRANCE)
 Tel.: 04 78 90 87 87 / Fax.: 04 78 90 87 88
 Email: vibrateur@orange.fr
 Internet: acbmv.com

6 POLES - 1200 RPM
 REF.: 602325C
 SIZE: 40

Certifications:



MECHANICAL AND ELECTRICAL SPECIFICATIONS

Eccentric weight setup (%)	Static moment (kgmm)	Working moment (kgcm)	Centrifugal force (kg)	Centrifugal force (kN)	Estimated bearings life time (hours)
100	561	112,20	905	8,88	95451
90	504,90	100,98	815	7,99	>100000
80	448,80	89,76	724	7,10	>100000
70	392,70	78,54	634	6,22	>100000
60	336,60	67,32	543	5,33	>100000
50	280,50	56,10	453	4,44	>100000
40	224,40	44,88	362	3,55	>100000
30	168,30	33,66	272	2,66	>100000
20	112,20	22,44	181	1,78	>100000
10	56,10	11,22	91	0,89	>100000

Power supply (volts)	460
Phases:	three phases
Frequency (Hz)	60 Hz
Rotation speed (RPM)	1200
Max input power (watt)	Input: 680 Rating: 442
Max current (amp)	1,3
IS/IR	3,69

DIMENSIONAL SPECIFICATIONS (mm)

Vibrator weight: 65,4 kg

Continual service ambient temperature: -20°C à +40°C - Tropicalization anti-mold - Mechanical protection: IP66 IK08 according to IEC

Bearing type: ROLLER

Lubrication LONG-LIFE with KLUEBER STABURAGS NBU 8EP.

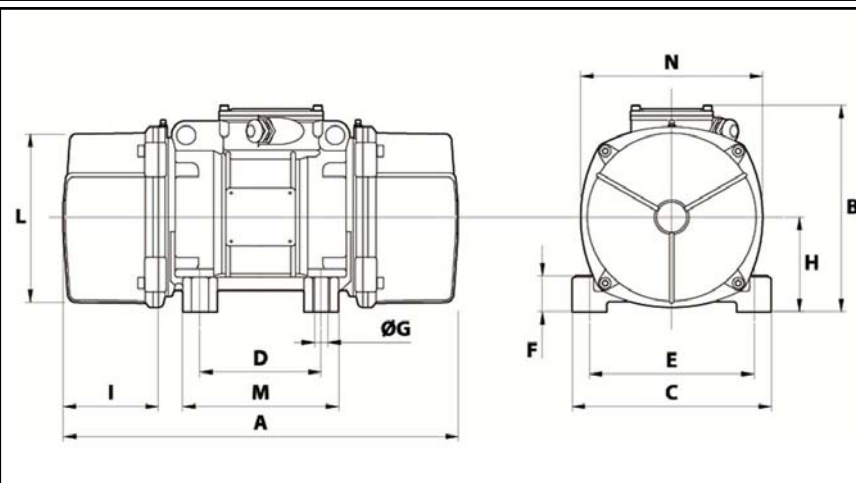
Re lubrication quantity after 1000 hours of using: 16g

Max quantity by replaced bearing: 30g

Fixing with 4 screws M16 - 5/8" quality 8.8 with tightening torque (kgm - ft/lb): 19 - 137

- Thread (pipe thread not supplied): NPT3/4"

Maintenance space: 134 (50Hz) 108 (60Hz) mm



A	468
B	278,5
C	235
D	140
E	190
F	65
G	17
N° HOLES	4
H	116
I	108
L	210
M	185
N	225