

ACBMV B. CASADIO VIBRATION
 Z.I. Mi-Plaine
 51 Rue Ampère
 B.P. 31
 69682 CHASSIEU CEDEX (FRANCE)
 Tel.: 04 78 90 87 87 / Fax.: 04 78 90 87 88
 Email: vibrateur@orange.fr
 Internet: acbmv.com

6 POLES - 1000 RPM ATEX II 2D tD A21 IP 66 ZONE 21-22
 REF.: 602350A Dust T°=135°C
 SIZE: 80

Certifications:



MECHANICAL AND ELECTRICAL SPECIFICATIONS

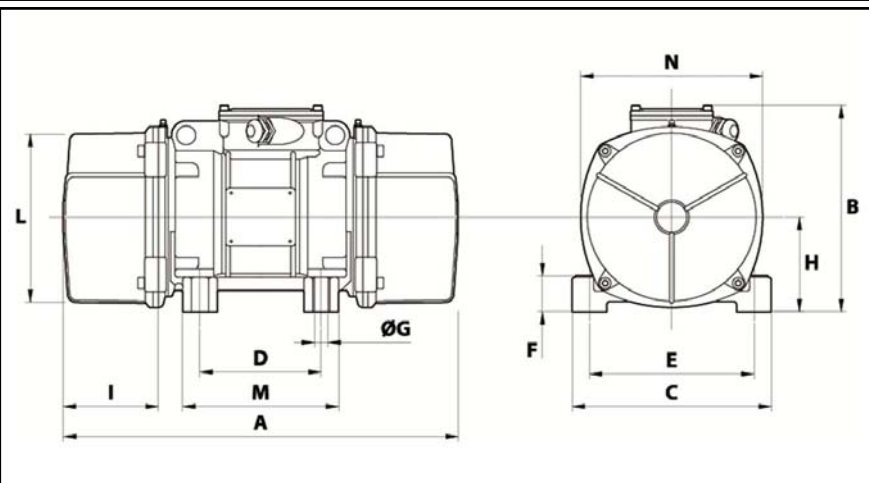
Eccentric weight setup (%)	Static moment (kgmm)	Working moment (kgcm)	Centrifugal force (kg)	Centrifugal force (kN)	Estimated bearings life time (hours)
100	4678,00	935,60	5230	51,30	21321
90	4210,20	842,04	4707	46,17	30292
80	3742,40	748,48	4184	41,04	44858
70	3274,60	654,92	3661	35,91	70008
60	2806,80	561,36	3138	30,78	>100000
50	2339,00	467,80	2615	25,65	>100000
40	1871,20	374,24	2092	20,52	>100000
30	1403,40	280,68	1569	15,39	>100000
20	935,60	187,12	1046	10,26	>100000
10	467,80	93,56	523	5,13	>100000

Power supply (volts)	400
Phases:	three phases
Frequency (Hz)	50 Hz
Rotation speed (RPM)	1000
Max input power (watt)	3200
Max current (amp)	6,50
IS/IR	5,24

DIMENSIONAL SPECIFICATIONS (mm)

Vibrator weight: 225,0 kg

Continual service ambient temperature: -20°C à +40°C - Tropicalization anti-mold - Mechanical protection: IP66 IK08 according to IEC
 Bearing type: ROLLER
 Lubrication LONG-LIFE with KLUEBER STABURAGS NBU 8EP.
 Re lubrication quantity after 1000 hours of using: 40g
 Max quantity by replaced bearing: 80g
 Fixing with 4 screws M24 - 15/16" quality 8.8 with tightening torque (kgm - ft/lb): 71 - 513
 Power supply cable size: 13 à 20 mm - Cable entry thread: M32x1,5
 Maintenance space: 248 mm



A	826
B	347
C	340
D	180
E	280
F	80
G	26
N° HOLES	4
H	165
I	248
L	303
M	240
N	320
