

ACBMV B. CASADIO VIBRATION
 Z.I. Mi-Plaine
 51 Rue Ampère
 B.P. 31
 69682 CHASSIEU CEDEX (FRANCE)
 Tel.: 04 78 90 87 87 / Fax.: 04 78 90 87 88
 Email: vibrateur@orange.fr
 Internet: acbmv.com

6 POLES - 1200 RPM ATEX II 2D tD A21 IP 66 ZONE 21-22
 REF.: 602350C Dust T°=135°C
 SIZE: 80

Certifications:



MECHANICAL AND ELECTRICAL SPECIFICATIONS

Eccentric weight setup (%)	Static moment (kgmm)	Working moment (kgcm)	Centrifugal force (kg)	Centrifugal force (kN)	Estimated bearings life time (hours)
100	3230,00	646,00	5200	51,00	18111
90	2907,00	581,40	4680	45,90	25732
80	2584,00	516,80	4160	40,80	38104
70	2261,00	452,20	3640	35,70	59468
60	1938,00	387,60	3120	30,60	99412
50	1615,00	323,00	2600	25,50	>100000
40	1292,00	258,40	2080	20,40	>100000
30	969,00	193,80	1560	15,30	>100000
20	646,00	129,20	1040	10,20	>100000
10	323,00	64,60	520	5,10	>100000

Power supply (volts)	460
Phases:	three phases
Frequency (Hz)	60 Hz
Rotation speed (RPM)	1200
Max input power (watt)	3600
Max current (amp)	6,00
IS/IR	5,50

DIMENSIONAL SPECIFICATIONS (mm)

Vibrator weight: 200,0 kg

Continual service ambient temperature: -20°C à +40°C - Tropicalization anti-mold - Mechanical protection: IP66 IK08 according to IEC

Bearing type: ROLLER

Lubrication LONG-LIFE with KLUEBER STABURAGS NBU 8EP.

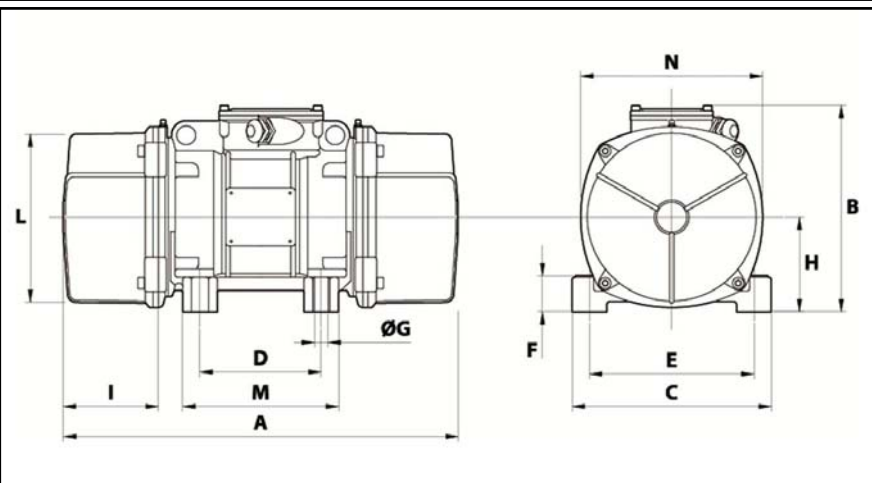
Re lubrication quantity after 1000 hours of using: 40g

Max quantity by replaced bearing: 80g

Fixing with 4 screws M24 - 15/16" quality 8.8 with tightening torque (kgm - ft/lb): 71 - 513

Power supply cable size: 13 à 20 mm - Cable entry thread: M32x1,5

Maintenance space: 248 mm



A	826
B	347
C	340
D	180
E	280
F	80
G	26
N° HOLES	4
H	165
I	248
L	303
M	240
N	320