

ACBMV B. CASADIO VIBRATION
 Z.I. Mi-Plaine
 51 Rue Ampère
 B.P. 31
 69682 CHASSIEU CEDEX (FRANCE)
 Tel.: 04 78 90 87 87 / Fax.: 04 78 90 87 88
 Email: vibrateur@orange.fr
 Internet: acbmv.com

6 POLES - 1200 RPM ATEX II 2D tD A21 IP 66 ZONE 21-22
 REF.: 602352C Dust T°=135°C
 SIZE: 90

Certifications:



MECHANICAL AND ELECTRICAL SPECIFICATIONS

Eccentric weight setup (%)	Static moment (kgmm)	Working moment (kgcm)	Centrifugal force (kg)	Centrifugal force (kN)	Estimated bearings life time (hours)
100	4348,00	869,60	7000	68,70	17535
90	3913,20	782,64	6300	61,83	24913
80	3478,40	695,68	5600	54,96	36893
70	3043,60	608,72	4900	48,09	57577
60	2608,80	521,76	4200	41,22	96250
50	2174,00	434,80	3500	34,35	>100000
40	1739,20	347,84	2800	27,48	>100000
30	1304,40	260,88	2100	20,61	>100000
20	869,60	173,92	1400	13,74	>100000
10	434,80	86,96	700	6,87	>100000

Power supply (volts)	460
Phases:	three phases
Frequency (Hz)	60 Hz
Rotation speed (RPM)	1200
Max input power (watt)	5000
Max current (amp)	8,10
IS/IR	5,83

DIMENSIONAL SPECIFICATIONS (mm)

Vibrator weight: 263,0 kg

Continual service ambient temperature: -20°C à +40°C - Tropicalization anti-mold - Mechanical protection: IP66 IK08 according to IEC

Bearing type: ROLLER

Lubrication LONG-LIFE with KLUEBER STABURAGS NBU 8EP.

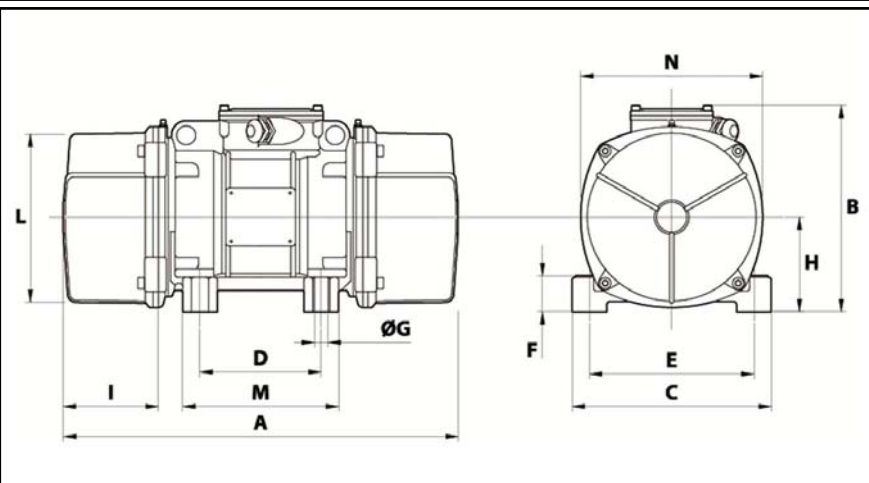
Re lubrication quantity after 1000 hours of using: 60g

Max quantity by replaced bearing: 120g

Fixing with 4 screws M27 - 1" quality 8.8 with tightening torque (kgm - ft/lb): 89 - 645

Power supply cable size: 13 à 20 mm - Cable entry thread: M32x1,5

Maintenance space: 240 mm



A	840
B	370
C	390
D	200
E	320
F	90
G	28
N° HOLES	4
H	180
I	240
L	330
M	270
N	350
