

ACBMV B. CASADIO VIBRATION  
 Z.I. Mi-Plaine  
 51 Rue Ampère  
 B.P. 31  
 69682 CHASSIEU CEDEX (FRANCE)  
 Tel.: 04 78 90 87 87 / Fax.: 04 78 90 87 88  
 Email: [vibrateur@orange.fr](mailto:vibrateur@orange.fr)  
 Internet: [acbmv.com](http://acbmv.com)

6 POLES - 1200 RPM      ATEX II 2D tD A21 IP 66 ZONE 21-22  
 REF.: 602380C              Dust T°=135°C  
 SIZE: 40

Certifications:



### MECHANICAL AND ELECTRICAL SPECIFICATIONS

Eccentric weight setup (%)	Static moment (kgmm)	Working moment (kgcm)	Centrifugal force (kg)	Centrifugal force (kN)	Estimated bearings life time (hours)
100	561,00	112,20	905	8,88	7099
90	504,90	100,98	815	7,99	9720
80	448,80	89,76	724	7,10	13865
70	392,70	78,54	634	6,22	20648
60	336,60	67,32	543	5,33	32866
50	280,50	56,10	453	4,44	56604
40	224,40	44,88	362	3,55	>100000
30	168,30	33,66	272	2,66	>100000
20	112,20	22,44	181	1,78	>100000
10	56,10	11,22	91	0,89	>100000

Power supply (volts)	460
Phases:	three phases
Frequency (Hz)	60 Hz
Rotation speed (RPM)	1200
Max input power (watt)	760
Max current (amp)	1,35
IS/IR	3,33

### DIMENSIONAL SPECIFICATIONS (mm)

**Vibrator weight: 44,0 kg**

Continual service ambient temperature: -20°C à +40°C - Tropicalization anti-mold - Mechanical protection: IP66 IK08 according to IEC

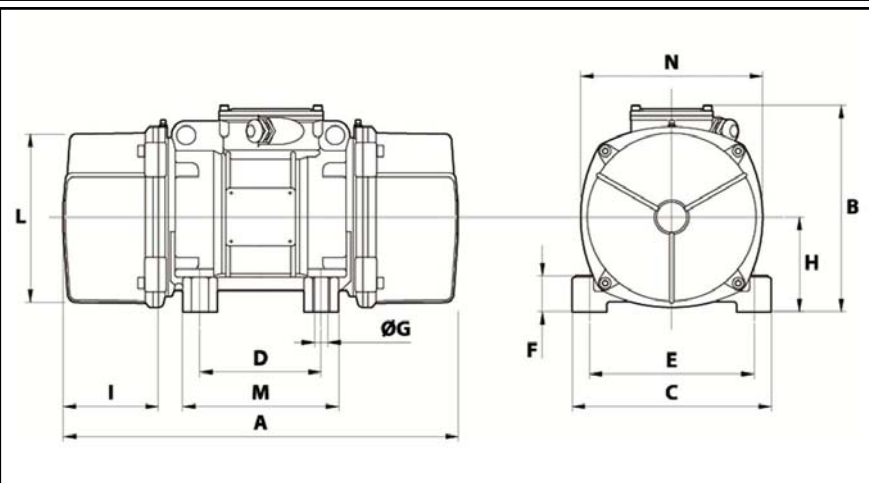
Bearing type: BALL

Lubrication "FOR LIFE" with double protection screen

Fixing with 4 screws M16 - 5/8" quality 8.8 with tightening torque (kgm - ft/lb): 19 - 137

Power supply cable size: 9 à 16 mm - Cable entry thread: M25x1,5

Maintenance space: 134 (50Hz) 108 (60Hz) mm



A	500
B	246
C	230
D	140
E	190
F	54
G	17
N° HOLES	4
H	116
I	134
L	207
M	190
N	225
