

ACBMV B. CASADIO VIBRATION  
 Z.I. Mi-Plaine  
 51 Rue Ampère  
 B.P. 31  
 69682 CHASSIEU CEDEX (FRANCE)  
 Tel.: 04 78 90 87 87 / Fax.: 04 78 90 87 88  
 Email: [vibrateur@orange.fr](mailto:vibrateur@orange.fr)  
 Internet: [acbmv.com](http://acbmv.com)

6 POLES - 1200 RPM      ATEX II 2D tD A21 IP 66 ZONE 21-22  
 REF.: 602381C              Dust T°=135°C  
 SIZE: 50

Certifications:



### MECHANICAL AND ELECTRICAL SPECIFICATIONS

Eccentric weight setup (%)	Static moment (kgmm)	Working moment (kgcm)	Centrifugal force (kg)	Centrifugal force (kN)	Estimated bearings life time (hours)
100	715,00	143,00	1151	11,30	18251
90	643,50	128,70	1036	10,17	25028
80	572,00	114,40	921	9,04	35623
70	500,50	100,10	806	7,91	53151
60	429,00	85,80	691	6,78	84349
50	357,50	71,50	576	5,65	>100000
40	286,00	57,20	460	4,52	>100000
30	214,50	42,90	345	3,39	>100000
20	143,00	28,60	230	2,26	>100000
10	71,50	14,30	115	1,13	>100000

Power supply (volts)	460
Phases:	three phases
Frequency (Hz)	60 Hz
Rotation speed (RPM)	1200
Max input power (watt)	750
Max current (amp)	1,50
IS/IR	4,13

### DIMENSIONAL SPECIFICATIONS (mm)

**Vibrator weight: 51,0 kg**

Continual service ambient temperature: -20°C à +40°C - Tropicalization anti-mold - Mechanical protection: IP66 IK08 according to IEC

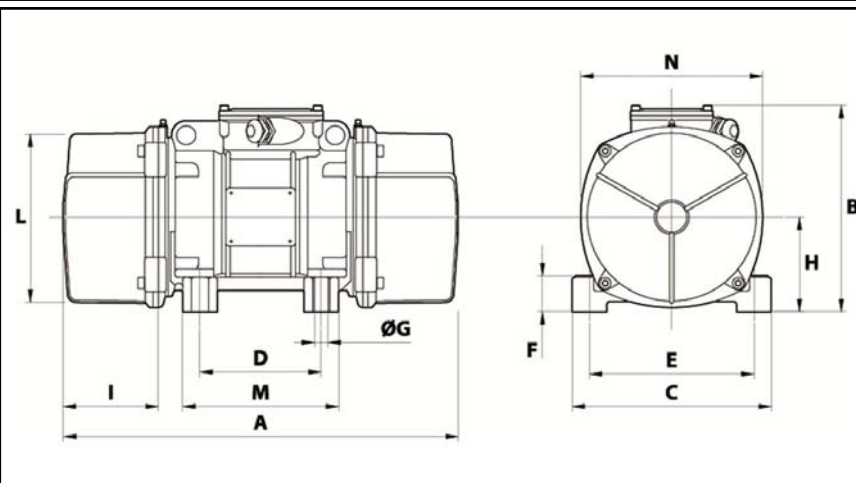
Bearing type: BALL

Lubrication "FOR LIFE" with double protection screen

Fixing with 4 screws M16 - 5/8" quality 8.8 with tightening torque (kgm - ft/lb): 19 - 137

Power supply cable size: 9 à 16 mm - Cable entry thread: M25x1,5

Maintenance space: 171 mm



A	574
B	246
C	230
D	140
E	190
F	54
G	17
N° HOLES	4
H	116
I	171
L	207
M	190
N	225